



**QUOTATION NO.: SC 1611/2015**

**STRENGTHENING OF THE DE WET HALL ROOF STRUCTURE, ONRUS RIVER,  
HERMANUS  
PROCUREMENT DOCUMENT**

<b>NAME OF TENDERER:</b>	
<b>Total Bid Price (Inclusive of VAT) <i>(refer to page 55):</i></b>	
<b>COMPLETION PERIOD IN WEEKS:</b>	

**MAY 2015**

**PREPARED AND ISSUED BY:**

Directorate: Finance:  
Supply Chain Management Unit  
Overstrand Municipality  
PO Box 20, Hermanus, 7200

**CONTACT FOR ENQUIRIES REGARDING  
SPECIFICATIONS:**

Tiaan Marx  
Principal Technician: Operational Services  
**Tel. Number:** 028 313 8948

<b>KLEINMOND</b> Private Bag X3 Kleinmond; 7195 Tel: 028 271 8100 Fax: 028 271 4678	<b>HERMANUS</b> PO Box 20 Hermanus; 7200 Tel: 028 313 8000 Fax: 028 313 8048	<b>STANFORD</b> PO Box 84 Stanford; 7210 Tel: 028 341 0640 Fax: 028 341 0445	<b>GANSBAAI</b> PO Box 26 Gansbaai; 7220 Tel: 028 384 0111 Fax: 028 384 0241
---	--	--	--

QUOTATION DETAILS					
QUOTATION NUMBER:	<b>SC1611/2015</b>				
QUOTATION TITLE:	<b>STRENGTHENING OF DE WET HALL ROOF STRUCTURE, ONRUS RIVER</b>				
CLOSING DATE:	<b>2015/06/05</b>	CLOSING TIME:	<b>12H00</b>		
SITE MEETING:	DATE: <b>2015/05/29</b>	TIME:	<b>10H00</b>	COMPULSORY:	<b>YES</b>
SITE MEETING ADDRESS:	<b>DE WET HALL, ROOS STREET, ONRUS RIVER</b>				
CIDB GRADING REQUIRED:	<b>YES</b>	LEVEL AND CATEGORY:	<b>1GB</b>		
BID BOX NO:	<b>3</b>	SITUATED AT: Overstrand Municipal Building, Magnolia Avenue, Hermanus. The bid box is generally open 24 hours a day, 7 days a week.			
OFFER TO BE VALID FOR:	<b>90</b>	DAYS FROM THE CLOSING DATE OF BID.			

TENDERER DETAILS (Please indicate postal address for all correspondence relevant to this specific quotation)			
NAME OF TENDERER:			
NAME OF CONTACT PERSON:			
PHYSICAL ADDRESS:		POSTAL ADDRESS:	
TELEPHONE #:		FAX NO.:	
E-MAIL ADDRESS:			

QUOTATION AMOUNT (INCLUDING VAT) :	
DATE:	
SIGNATURE OF TENDERER:	
CAPACITY UNDER WHICH THIS BID IS SIGNED:	

<b>PLEASE NOTE:</b>
a) Tenders that are deposited in the incorrect box will not be considered.
b) Tender box deposit slot is 28cm x 2.5cm.
c) Mailed, telegraphic or faxed tenders will not be accepted.
d) If the bid is late, it will not be accepted for consideration.
e) Bids may only be submitted on the Bid Documentation provided by the Municipality.

ENQUIRIES MAY BE DIRECTED TO:		
	ENQUIRIES REGARDING BID PROCEDURES	TECHNICAL ENQUIRIES
CONTACT PERSON:	<b>BLAKE D'OLIVEIRA</b>	<b>TIAAN MARX</b>
TEL. #	<b>028 313 5016</b>	<b>028 313 8948</b>

**CONTENTS**

	<b>PAGE NUMBER</b>
PART A – ADMINISTRATIVE REQUIREMENTS IN TERMS OF THE SUPPLY CHAIN MANAGEMENT POLICY .....	4
1. CHECKLIST .....	5
2. QUOTATION NOTICE & INVITATION TO SUBMIT A QUOTATION .....	6
3. CLARIFICATION MEETING CERTIFICATE .....	7
4. AUTHORITY TO SIGN A BID.....	8
5. STANDARD CONDITIONS OF TENDER.....	10
6. GENERAL CONDITIONS OF TENDER .....	21
7. MBD 2 – TAX CLEARANCE CERTIFICATE REQUIREMENTS .....	23
8. MBD 4 – DECLARATION OF INTEREST .....	24
9. MBD6.1 – PREFERENCE POINTS CLAIM FORM IN TERMS OF THE PREFERENTIAL PROCUREMENT REGULATIONS 2011 – PURCHASES/SERVICES (80/20).....	27
10. MBD 8 – DECLARATION OF BIDDER'S PAST SUPPLY CHAIN MANAGEMENT PRACTICES.....	33
11. MBD 9 – CERTIFICATE OF INDEPENDENT BID DETERMINATION.....	35
12. MBD 15 – CERTIFICATE FOR PAYMENT OF MUNICIPAL SERVICES.....	37
13. MBD 16 – KEY PERFORMANCE INDICATORS .....	38
14. SECTION 37(2) OF THE OCCUPATIONAL HEALTH AND SAFETY ACT, 1993 (ACT 85 OF 1993).....	39
15. FORM OF INDEMNITY .....	41
PART B – SPECIFICATIONS AND PRICING SCHEDULE.....	42
16. SPECIFICATIONS .....	43
17. SCHEDULE OF PLANT AND EQUIPMENT.....	51
18. SCHEDULE OF WORK EXPERIENCE OF THE TENDERER – CURRENT CONTRACTS – PROJECT MANAGER .....	52
19. SCHEDULE OF WORK EXPERIENCE OF THE TENDERER – COMPLETED CONTRACTS – PROJECT MANAGER .....	53
20. CERTIFICATE OF REGISTRATION WITH CIDB .....	54
21. FORM OF OFFER AND ACCEPTANCE.....	55
22. DECLARATION BY TENDERER .....	57
PART C – DATABASE REGISTRATION .....	58



**PART A – ADMINISTRATIVE REQUIREMENTS IN  
TERMS OF THE SUPPLY CHAIN MANAGEMENT POLICY**

<b>1. CHECKLIST</b>
---------------------

**PLEASE ENSURE THAT THE FOLLOWING FORMS HAVE BEEN DULY COMPLETED AND SIGNED AND THAT ALL DOCUMENTS AS REQUESTED, ARE ATTACHED TO THE TENDER DOCUMENT:**

1.	<b>Clarification meeting certificate</b> Is the form duly completed and signed?	YES	NO
2.	<b>Authority to Sign a Bid</b> Is the form duly completed and is a <b>certified copy</b> of the <b>resolution</b> attached?	YES	NO
3.	<b>Tax Clearance Certificate</b> Is an <b>ORIGINAL</b> and <b>VALID</b> Tax Clearance Certificate attached?	YES	NO
4.	<b>MBD 4</b> (Declaration of Interest) Is the form duly completed and signed?	YES	NO
5.	<b>MBD 6.1</b> (Preference Points claim form for purchases/services) Is the form duly completed and signed? Is a <b>CERTIFIED</b> copy of the <b>B-BBEE Certificate</b> or the <b>original B-BBEE Certificate</b> attached?	YES	NO
6.	<b>MBD 7.1</b> (Contract form – Rendering of Services) Is the form duly completed and signed?	YES	NO
7.	<b>MBD 8</b> (Declaration of Past Supply Chain Practices) Is the form duly completed and signed?	YES	NO
8.	<b>MBD 9</b> (Certificate of Independent Bid Determination) Is the form duly completed and signed?	YES	NO
9.	<b>MBD 15</b> (Certificate of Payment of Municipal Accounts) Is the form duly completed and signed? Are the <b>Identity numbers, residential addresses</b> and <b>municipal account numbers</b> of <b>ALL</b> members, partners, directors, etc. provided on the form as requested?	YES	NO
10.	<b>Specifications</b> Is the form duly completed and signed?	YES	NO
11.	<b>Schedule of Equipment</b> Is the form duly completed and signed?		
12.	<b>Schedule of Work Experience of Tenderer</b> Is the form duly completed and signed?	YES	NO
13.	<b>Form of Offer</b> Is the form duly completed and signed?	YES	NO
14.	<b>DATA BASE REGISTRATION</b> Is the form duly completed and signed? Are <b>ALL</b> the supporting documents attached?	YES	NO

SIGNATURE		NAME (PRINT)	
CAPACITY		DATE	
NAME OF FIRM			

<b>2. QUOTATION NOTICE &amp; INVITATION TO SUBMIT A QUOTATION</b>
---

<b>QUOTATION NO. SC 1611/2015</b>
-----------------------------------

<b>STRENGTHENING OF THE DE WET HALL ROOF STRUCTURE, ONRUS RIVER, HERMANUS</b>
---

Quotations are hereby invited for the **Strengthening of the De Wet Hall Roof Structure, Onrus River, Hermanus.**

Quotation documents, in English, are obtainable from **Friday, 22 May 2015**, at the offices of the Supply Chain Management Unit, Overstrand Municipality, Magnolia Avenue, Hermanus, from Ms. Rita Neethling Tel. 028 313 8064 between 08h30 and 15h30. Alternatively the document may be downloaded from the website: [www.overstrand.gov.za](http://www.overstrand.gov.za) .

Sealed quotations, with: "**Quotation No: SC1611/2015: Strengthening of the De Wet Hall Roof Structure, Onrus River, Hermanus.**" clearly endorsed on the envelope, must be deposited in **Tender Box No. 3** at the offices of the Overstrand Municipality, Magnolia Avenue, Hermanus. Bids may only be submitted on the documentation issued by Overstrand Municipality.

Tenderers should have an estimated **CIDB** contractor grading of **1GB** or higher.

A compulsory information session will be held at **10H00** on **29 May 2015** at the De Wet Hall, Roos Street Onrus River.

The closing date and time of the quotation is on **05 June 2015** at **12h00** and quotations will be opened in public immediately thereafter in the Supply Chain Management Committee Room, Hermanus Administration.

Quotations must be valid for **90 days** after the closing date. Quotations shall be evaluated in terms of the Preferential Procurement Regulations, 2011 and bidders may claim preference points in terms of their B-BBEE status level of contribution.

The Overstrand Municipality does not bind itself to accept the lowest or any quotation and reserves the right to accept any quotation, as it may deem expedient. Quotations are subject to the Standard Conditions of Tender and the Supply Chain Management Policy of the Overstrand Municipality.

Please refer enquiries to **Tiaan Marx** at telephone number: **028 313 8948**.

INITIALS	
----------	--

<b>3. CLARIFICATION MEETING CERTIFICATE</b>
---

I / We\*, the undersigned, certify that I / we\* have examined the Site for the Works and its surroundings for which I / we\* am / are\* submitting this Tender and have, as far as practicable possible, familiarized myself / ourselves\* with all information, risks, contingencies and other circumstances which may influence or affect my / our\* tender.

\* Delete whichever is inapplicable

NAME & SURNAME			
CAPACITY			
NAME OF FIRM			
ADDRESS			
TELEPHONE NO		FAX NO:	
E-MAIL		SIGNATURE	

SIGNED FOR AND ON BEHALF OF <b>OVERSTRAND MUNICIPALITY</b>	
NAME AND SURNAME	
DATE	

INITIALS	
----------	--



**4. AUTHORITY TO SIGN A BID**

**1. SOLE PROPRIETOR (SINGLE OWNER BUSINESS) AND NATURAL PERSON**

1.1. I, \_\_\_\_\_, the undersigned, hereby confirm that I am the sole owner of the business trading as \_\_\_\_\_.

OR

1.2. I, \_\_\_\_\_, the undersigned, hereby confirm that I am submitting this tender in my capacity as natural person.

SIGNATURE:		DATE:	
PRINT NAME:			
WITNESS 1:		WITNESS 2:	

**2. COMPANIES AND CLOSE CORPORATIONS**

2.1. If a Bidder is a **COMPANY**, a certified copy of the resolution by the board of directors, duly signed, authorising the person who signs this bid to do so, as well as to sign any contract resulting from this bid and any other documents and correspondence in connection with this bid and/or contract on behalf of the company **must be submitted with this bid**, that is, before the closing time and date of the bid

2.2. In the case of a **CLOSE CORPORATION (CC)** submitting a bid, a resolution by its members, authorizing a member or other official of the corporation to sign the documents on their behalf, **shall be included with the bid**.

**PARTICULARS OF RESOLUTION BY BOARD OF DIRECTORS OF THE COMPANY/MEMBERS OF THE CC**

Date Resolution was taken	
Resolution signed by (name and surname)	
Capacity	
Name and surname of delegated Authorised Signatory	
Capacity	
Specimen Signature	

Full name and surname of ALL Director(s) / Member (s)			
1.		2.	
3.		4.	
5.		6.	
7.		8.	
9.		10.	
Is a CERTIFIED COPY of the resolution attached?		YES	NO

SIGNED ON BEHALF OF COMPANY / CC:		DATE:	
PRINT NAME:			
WITNESS 1:		WITNESS 2:	



**3. PARTNERSHIP**

We, the undersigned partners in the business trading as \_\_\_\_\_ hereby authorize Mr/Ms \_\_\_\_\_ to sign this bid as well as any contract resulting from the bid and any other documents and correspondence in connection with this bid and /or contract for and on behalf of the abovementioned partnership.

The following particulars in respect of every partner must be furnished and signed by every partner:

Full name of partner		Signature	
SIGNED ON BEHALF OF PARTNERSHIP:		DATE:	
PRINT NAME:			
WITNESS 1:		WITNESS 2:	

**4. CONSORTIUM**

We, the undersigned consortium partners, hereby authorize \_\_\_\_\_ \_\_\_\_\_ (Name of entity) to act as lead consortium partner and further authorize Mr./Ms. \_\_\_\_\_ To sign this offer as well as any contract resulting from this tender and any other documents and correspondence in connection with this tender and / or contract for and on behalf of the consortium.

The following particulars in respect of each consortium member must be provided and signed by each member:

Full Name of Consortium Member	Role of Consortium Member	% Participation	Signature
SIGNED ON BEHALF OF PARTNERSHIP:		DATE:	
PRINT NAME:			
WITNESS 1:		WITNESS 2:	



**5. STANDARD CONDITIONS OF TENDER**

**F.1 General**

**F.1.1 Actions**

**F.1.1.1** The employer and each tenderer submitting a tender offer shall comply with these conditions of tender. In their dealings with each other, they shall discharge their duties and obligations as set out in F.2 and F.3, timeously and with integrity, and behave equitably, honestly and transparently, comply with all legal obligations and not engage in anticompetitive practices.

**F.1.1.2** The employer and the tenderer and all their agents and employees involved in the tender process shall avoid conflicts of interest and where a conflict of interest is perceived or known, declare any such conflict of interest, indicating the nature of such conflict. Tenderers shall declare any potential conflict of interest in their tender submissions. Employees, agents and advisors of the employer shall declare any conflict of interest to whoever is responsible for overseeing the procurement process at the start of any deliberations relating to the procurement process or as soon as they become aware of such conflict, and abstain from any decisions where such conflict exists or recuse themselves from the procurement process, as appropriate.

**Note:** 1) A conflict of interest may arise due to a conflict of roles which might provide an incentive for improper acts in some circumstances. A conflict of interest can create an appearance of impropriety that can undermine confidence in the ability of that person to act properly in his or her position even if no improper acts result.

2) Conflicts of interest in respect of those engaged in the procurement process include direct, indirect or family interests in the tender or outcome of the procurement process and any personal bias, inclination, obligation, allegiance or loyalty which would in any way affect any decisions taken.

**F.1.1.3** The employer shall not seek and a tenderer shall not submit a tender without having a firm intention and the capacity to proceed with the contract.

**F.1.2 Tender Documents**

The documents issued by the employer for the purpose of a tender offer are listed in the tender data.

**F.1.3 Interpretation**

**F.1.3.1** The tender data and additional requirements contained in the tender schedules that are included in the returnable documents are deemed to be part of these conditions of tender.

**F.1.3.2** These conditions of tender, the tender data and tender schedules which are only required for tender evaluation purposes, shall not form part of any contract arising from the invitation to tender.

**F.1.3.3** For the purposes of these conditions of tender, the following definitions apply:

- a) **conflict of interest** means any situation in which:
  - i) someone in a position of trust has competing professional or personal interests which make it difficult to fulfil his or her duties impartially;
  - ii) an individual or organisation is in a position to exploit a professional or official capacity in some way for their personal or corporate benefit; or
  - iii) incompatibility or contradictory interests exist between an employee and the organisation which employs that employee.
- b) **comparative offer** means the tenderer's financial offer after all tendered parameters that will affect the value of the financial offer have been taken into consideration in order to enable comparisons to be made between offers on a comparative basis
- c) **corrupt practice** means the offering, giving, receiving or soliciting of anything of value to influence the action of the employer or his staff or agents in the tender process; and 35

INITIALS	
----------	--



- d) **fraudulent practice** means the misrepresentation of the facts in order to influence the tender process or the award of a contract arising from a tender offer to the detriment of the employer, including collusive practices intended to establish prices at artificial levels
- e) **organization** means a company, firm, enterprise, association or other legal entity, whether incorporated or not, or a public body
- f) **quality (functionality)** means the totality of features and characteristics of a product or service that bear on its ability to satisfy stated or implied needs

**F.1.4 Communication and employer’s agent**

Each communication between the employer and a tenderer shall be to or from the employer's agent only, and in a form that can be readily read, copied and recorded. Communications shall be in the English language. The employer shall not take any responsibility for non-receipt of communications from or by a tenderer. The name and contact details of the employer’s agent are stated in the tender data.

**F.1.5 The employer’s right to accept or reject any tender offer**

**F.1.5.1** The employer may accept or reject any variation, deviation, tender offer, or alternative tender offer, and may cancel the tender process and reject all tender offers at any time before the formation of a contract. The employer shall not accept or incur any liability to a tenderer for such cancellation and rejection, but will give written reasons for such action upon written request to do so.

**F.1.5.2** The employer may not subsequent to the cancellation or abandonment of a tender process or the rejection of all responsive tender offers re-issue a tender covering substantially the same scope of work within a period of six months unless only one tender was received and such tender was returned unopened to the tenderer.

**F.1.6 Procurement procedures**

**F.1.6.1 General**

Unless otherwise stated in the tender data, a contract will, subject to F.3.13, be concluded with the tenderer who in terms of F.3.11 is the highest ranked or the tenderer scoring the highest number of tender evaluation points, as relevant, based on the tender submissions that are received at the closing time for tenders.

**F.1.6.2 Competitive negotiation procedure**

**F.1.6.2.1** Where the tender data require that the competitive negotiation procedure is to be followed, tenderers shall submit tender offers in response to the proposed contract in the first round of submissions. Notwithstanding the requirements of F.3.4, the employer shall announce only the names of the tenderers who make a submission. The requirements of F.3.8 relating to the material deviations or qualifications which affect the competitive position of tenderers shall not apply.

**F.1.6.2.2** All responsive tenderers, or not less than three responsive tenderers that are highest ranked in terms of the evaluation method and evaluation criteria stated in the tender data, shall be invited in each round to enter into competitive negotiations, based on the principle of equal treatment and keeping confidential the proposed solutions and associated information. Notwithstanding the provisions of F.2.17, the employer may request that tenders be clarified, specified and fine-tuned in order to improve a tenderer’s competitive position provided that such clarification, specification, fine-tuning or additional information does not alter any fundamental aspects of the offers or impose substantial new requirements which restrict or distort competition or have a discriminatory effect.

**F.1.6.2.3** At the conclusion of each round of negotiations, tenderers shall be invited by the employer to make a fresh tender offer, based on the same evaluation criteria, with or without adjusted weightings. Tenderers shall be advised when they are to submit their best and final offer.

**F.1.6.2.4** The contract shall be awarded in accordance with the provisions of F.3.11 and F.3.13 after tenderers have been requested to submit their best and final offer.

INITIALS	
----------	--



**F.1.6.3 Proposal procedure using the two stage-system**

**F.1.6.3.1 Option 1**

Tenderers shall in the first stage submit technical proposals and, if required, cost parameters around which a contract may be negotiated. The employer shall evaluate each responsive submission in terms of the method of evaluation stated in the tender data, and in the second stage negotiate a contract with the tenderer scoring the highest number of evaluation points and award the contract in terms of these conditions of tender.

**F.1.6.3.2 Option 2**

**F.1.6.3.2.1** Tenderers shall submit in the first stage only technical proposals. The employer shall invite all responsive tenderers to submit tender offers in the second stage, following the issuing of procurement documents.

**F.1.6.3.2.2** The employer shall evaluate tenders received during the second stage in terms of the method of evaluation stated in the tender data, and award the contract in terms of these conditions of tender.

**F.2 Tenderer's obligations**

**F.2.1 Eligibility**

**F.2.1.1** Submit a tender offer only if the tenderer satisfies the criteria stated in the tender data and the tenderer, or any of his principals, is not under any restriction to do business with employer.

**F.2.1.2** Notify the employer of any proposed material change in the capabilities or formation of the tendering entity (or both) or any other criteria which formed part of the qualifying requirements used by the employer as the basis in a prior process to invite the tenderer to submit a tender offer and obtain the employer's written approval to do so prior to the closing time for tenders.

**F.2.2 Cost of tendering**

Accept that, unless otherwise stated in the tender data, the employer will not compensate the tenderer for any costs incurred in the preparation and submission of a tender offer, including the costs of any testing necessary to demonstrate that aspects of the offer complies with requirements.

**F.2.3 Check documents**

Check the tender documents on receipt for completeness and notify the employer of any discrepancy or omission.

**F.2.4 Confidentiality and copyright of documents**

Treat as confidential all matters arising in connection with the tender. Use and copy the documents issued by the employer only for the purpose of preparing and submitting a tender offer in response to the invitation.

**F.2.5 Reference documents**

Obtain, as necessary for submitting a tender offer, copies of the latest versions of standards, specifications, conditions of contract and other publications, which are not attached but which are incorporated into the tender documents by reference.

**F.2.6 Acknowledge addenda**

Acknowledge receipt of addenda to the tender documents, which the employer may issue, and if necessary apply for an extension to the closing time stated in the tender data, in order to take the addenda into account.

**F.2.7 Clarification meeting**

Attend, where required, a clarification meeting at which tenderers may familiarize themselves with aspects of the proposed work, services or supply and raise questions. Details of the meeting(s) are stated in the tender data.

INITIALS	
----------	--



**F.2.8 Seek clarification**

Request clarification of the tender documents, if necessary, by notifying the employer at least five working days before the closing time stated in the tender data.

**F.2.9 Insurance**

Be aware that the extent of insurance to be provided by the employer (if any) might not be for the full cover required in terms of the conditions of contract identified in the contract data. The tenderer is advised to seek qualified advice regarding insurance.

**F.2.10 Pricing the tender offer**

**F.2.10.1** Include in the rates, prices, and the tendered total of the prices (if any) all duties, taxes except Value Added Tax (VAT), and other levies payable by the successful tenderer, such duties, taxes and levies being those applicable 14 days before the closing time stated in the tender data.

**F.2.10.2** Show VAT payable by the employer separately as an addition to the tendered total of the prices.

**F.2.10.3** Provide rates and prices that are fixed for the duration of the contract and not subject to adjustment except as provided for in the conditions of contract identified in the contract data.

**F.2.10.4** State the rates and prices in Rand unless instructed otherwise in the tender data. The conditions of contract identified in the contract data may provide for part payment in other currencies.

**F.2.11 Alterations to documents**

Do not make any alterations or additions to the tender documents, except to comply with instructions issued by the employer, or necessary to correct errors made by the tenderer. All signatories to the tender offer shall initial all such alterations. Erasures and the use of masking fluid are prohibited.

**F.2.12 Alternative tender offers**

**F.2.12.1** Unless otherwise stated in the tender data, submit alternative tender offers only if a main tender offer, strictly in accordance with all the requirements of the tender documents, is also submitted as well as a schedule that compares the requirements of the tender documents with the alternative requirements that are proposed.

**F.2.12.2** Accept that an alternative tender offer may be based only on the criteria stated in the tender data or criteria otherwise acceptable to the employer.

**F.2.13 Submitting a tender offer**

**F.2.13.1** Submit one tender offer only, either as a single tendering entity or as a member in a joint venture to provide the whole of the works, services or supply identified in the contract data and described in the scope of works, unless stated otherwise in the tender data.

**F.2.13.2** Return all returnable documents to the employer after completing them in their entirety, either electronically (if they were issued in electronic format) or by writing legibly in non-erasable ink.

**F.2.13.3** Submit the parts of the tender offer communicated on paper as an original plus the number of copies stated in the tender data, with an English translation of any documentation in a language other than English, and the parts communicated electronically in the same format as they were issued by the employer.

**F.2.13.4** Sign the original and all copies of the tender offer where required in terms of the tender data. The employer will hold all authorized signatories liable on behalf of the tenderer. Signatories for tenderers proposing to contract as joint ventures shall state which of the signatories is the lead partner whom the employer shall hold liable for the purpose of the tender offer.

**F.2.13.5** Seal the original and each copy of the tender offer as separate packages marking the packages as "ORIGINAL" and "COPY". Each package shall state on the outside the employer's address and identification details stated in the tender data, as well as the tenderer's name and contact address.

INITIALS	
----------	--



**F.2.13.6** Where a two-envelope system is required in terms of the tender data, place and seal the returnable documents listed in the tender data in an envelope marked “financial proposal” and place the remaining returnable documents in an envelope marked “technical proposal”. Each envelope shall state on the outside the employer’s address and identification details stated in the tender data, as well as the tenderer’s name and contact address.

**F.2.13.7** Seal the original tender offer and copy packages together in an outer package that states on the outside only the employer’s address and identification details as stated in the tender data.

**F.2.13.8** Accept that the employer will not assume any responsibility for the misplacement or premature opening of the tender offer if the outer package is not sealed and marked as stated.

**F.2.13.9** Accept that tender offers submitted by facsimile or e-mail will be rejected by the employer, unless stated otherwise in the tender data.

**F.2.14 Information and data to be completed in all respects**

Accept that tender offers, which do not provide all the data or information requested completely and in the form required, may be regarded by the employer as non-responsive.

**F.2.15 Closing time**

**F.2.15.1** Ensure that the employer receives the tender offer at the address specified in the tender data not later than the closing time stated in the tender data. Accept that proof of posting shall not be accepted as proof of delivery.

**F.2.15.2** Accept that, if the employer extends the closing time stated in the tender data for any reason, the requirements of these conditions of tender apply equally to the extended deadline.

**F.2.16 Tender offer validity**

**F.2.16.1** Hold the tender offer(s) valid for acceptance by the employer at any time during the validity period stated in the tender data after the closing time stated in the tender data.

**F.2.16.2** If requested by the employer, consider extending the validity period stated in the tender data for an agreed additional period with or without any conditions attached to such extension.

**F.2.16.3** Accept that a tender submission that has been submitted to the employer may only be withdrawn or substituted by giving the employer’s agent written notice before the closing time for tenders that a tender is to be withdrawn or substituted.

**F.2.16.4** Where a tender submission is to be substituted, submit a substitute tender in accordance with the requirements of F.2.13 with the packages clearly marked as “SUBSTITUTE”.

**F.2.17 Clarification of tender offer after submission**

Provide clarification of a tender offer in response to a request to do so from the employer during the evaluation of tender offers. This may include providing a breakdown of rates or prices and correction of arithmetical errors by the adjustment of certain rates or item prices (or both). No change in the competitive position of tenderers or substance of the tender offer is sought, offered, or permitted.

Note: Sub-clause F.2.17 does not preclude the negotiation of the final terms of the contract with a preferred tenderer following a competitive selection process, should the Employer elect to do so.

**F.2.18 Provide other material**

**F.2.18.1** Provide, on request by the employer, any other material that has a bearing on the tender offer, the tenderer’s commercial position (including notarized joint venture agreements), preference arrangements, or samples of materials, considered necessary by the employer for the purpose of a full and fair risk assessment. Should the tenderer not provide the material, or a satisfactory reason as to why it cannot be provided, by the time for submission stated in the employer’s request, the employer may regard the tender offer as non-responsive.

**F.2.18.2** Dispose of samples of materials provided for evaluation by the employer, where required.

INITIALS	
----------	--



**F.2.19 Inspections, tests and analysis**

Provide access during working hours to premises for inspections, tests and analysis as provided for in the tender data F.2.20 Submit securities, bonds, policies, etc. If requested, submit for the employer's acceptance before formation of the contract, all securities, bonds, guarantees, policies and certificates of insurance required in terms of the conditions of contract identified in the contract data.

**F.2.21 Check final draft**

Check the final draft of the contract provided by the employer within the time available for the employer to issue the contract.

**F.2.22 Return of other tender documents**

If so instructed by the employer, return all retained tender documents within 28 days after the expiry of the validity period stated in the tender data.

**F.2.23 Certificates**

Include in the tender submission or provide the employer with any certificates as stated in the tender data.

**F.3 The employer's undertakings**

**F.3.1 Respond to requests from the tenderer**

**F.3.1.1** Unless otherwise stated in the tender Data, respond to a request for clarification received up to five working days before the tender closing time stated in the Tender Data and notify all tenderers who drew procurement documents.

**F.3.1.2** Consider any request to make a material change in the capabilities or formation of the tendering entity (or both) or any other criteria which formed part of the qualifying requirements used to prequalify a tenderer to submit a tender offer in terms of a previous procurement process and deny any such request if as a consequence:

- a) an individual firm, or a joint venture as a whole, or any individual member of the joint venture fails to meet any of the collective or individual qualifying requirements;
- b) the new partners to a joint venture were not prequalified in the first instance, either as individual firms or as another joint venture; or
- c) in the opinion of the Employer, acceptance of the material change would compromise the outcome of the prequalification process.

**F.3.2 Issue Addenda**

If necessary, issue addenda that may amend or amplify the tender documents to each tenderer during the period from the date that tender documents are available until three days before the tender closing time stated in the Tender Data. If, as a result a tenderer applies for an extension to the closing time stated in the Tender Data, the Employer may grant such extension and, shall then notify all tenderers who drew documents.

**F.3.3 Return late tender offers**

Return tender offers received after the closing time stated in the Tender Data, unopened, (unless it is necessary to open a tender submission to obtain a forwarding address), to the tenderer concerned.

**F.3.4 Opening of tender submissions**

**F.3.4.1** Unless the two-envelope system is to be followed, open valid tender submissions in the presence of tenderers' agents who choose to attend at the time and place stated in the tender data. Tender submissions for which acceptable reasons for withdrawal have been submitted will not be opened.

INITIALS	
----------	--



**F.3.4.2** Announce at the meeting held immediately after the opening of tender submissions, at a venue indicated in the tender data, the name of each tenderer whose tender offer is opened and, where applicable, the total of his prices, preferences claimed and time for completion for the main tender offer only.

**F.3.4.3** Make available the record outlined in F.3.4.2 to all interested persons upon request.

**F.3.5 Two-envelope system**

**F.3.5.1** Where stated in the tender data that a two-envelope system is to be followed, open only the technical proposal of valid tenders in the presence of tenderers' agents who choose to attend at the time and place stated in the tender data and announce the name of each tenderer whose technical proposal is opened.

**F.3.5.2** Evaluate the quality of the technical proposals offered by tenderers, then advise tenderers who remain in contention for the award of the contract of the time and place when the financial proposals will be opened. Open only the financial proposals of tenderers, who score in the quality evaluation more than the minimum number of points for quality stated in the tender data, and announce the score obtained for the technical proposals and the total price and any preferences claimed. Return unopened financial proposals to tenderers whose technical proposals failed to achieve the minimum number of points for quality.

**F.3.6 Non-disclosure**

Not disclose to tenderers, or to any other person not officially concerned with such processes, information relating to the evaluation and comparison of tender offers, the final evaluation price and recommendations for the award of a contract, until after the award of the contract to the successful tenderer.

**F.3.7 Grounds for rejection and disqualification**

Determine whether there has been any effort by a tenderer to influence the processing of tender offers and instantly disqualify a tenderer (and his tender offer) if it is established that he engaged in corrupt or fraudulent practices.

**F.3.8 Test for responsiveness**

**F.3.8.1** Determine, after opening and before detailed evaluation, whether each tender offer properly received:

- a) complies with the requirements of these Conditions of Tender,
- b) has been properly and fully completed and signed, and
- c) is responsive to the other requirements of the tender documents.

**F.3.8.2** A responsive tender is one that conforms to all the terms, conditions, and specifications of the tender documents without material deviation or qualification. A material deviation or qualification is one which, in the Employer's opinion, would:

- a) detrimentally affect the scope, quality, or performance of the works, services or supply identified in the Scope of Work,
- b) significantly change the Employer's or the tenderer's risks and responsibilities under the contract, or
- c) affect the competitive position of other tenderers presenting responsive tenders, if it were to be rectified.

Reject a non-responsive tender offer, and not allow it to be subsequently made responsive by correction or withdrawal of the non-conforming deviation or reservation.

**F.3.9 Arithmetical errors, omissions and discrepancies**

**F.3.9.1** Check responsive tenders for discrepancies between amounts in words and amounts in figures. Where there is a discrepancy between the amounts in figures and the amount in words, the amount in words shall govern.

INITIALS	
----------	--



**F.3.9.2** Check the highest ranked tender or tenderer with the highest number of tender evaluation points after the evaluation of tender offers in accordance with F.3.11 for:

- a) the gross misplacement of the decimal point in any unit rate;
- b) omissions made in completing the pricing schedule or bills of quantities; or
- c) arithmetic errors in:
  - i) line item totals resulting from the product of a unit rate and a quantity in bills of quantities or schedules of prices; or
  - ii) the summation of the prices.

**F.3.9.3** Notify the tenderer of all errors or omissions that are identified in the tender offer and either confirm the tender offer as tendered or accept the corrected total of prices.

**F.3.9.4** Where the tenderer elects to confirm the tender offer as tendered, correct the errors as follows:

- a) If bills of quantities or pricing schedules apply and there is an error in the line item total resulting from the product of the unit rate and the quantity, the line item total shall govern and the rate shall be corrected. Where there is an obviously gross misplacement of the decimal point in the unit rate, the line item total as quoted shall govern, and the unit rate shall be corrected.
- b) Where there is an error in the total of the prices either as a result of other corrections required by this checking process or in the tenderer's addition of prices, the total of the prices shall govern and the tenderer will be asked to revise selected item prices (and their rates if bills of quantities apply) to achieve the tendered total of the prices.

**F.3.10 Clarification of a tender offer**

Obtain clarification from a tenderer on any matter that could give rise to ambiguity in a contract arising from the tender offer.

**F.3.11 Evaluation of tender offers**

**F.3.11.1 General**

Appoint an evaluation panel of not less than three persons. Reduce each responsive tender offer to a comparative offer and evaluate them using the tender evaluation methods and associated evaluation criteria and weightings that are specified in the tender data.

**F.3.11.2 Method 1: Financial offer**

In the case of a financial offer:

- a) Rank tender offers from the most favourable to the least favourable comparative offer.
- b) Recommend the highest ranked tenderer for the award of the contract, unless there are compelling and justifiable reasons not to do so.
- c) Re-rank all tenderers should there be compelling and justifiable reasons not to recommend the highest ranked tenderer and recommend the highest ranked tenderer, unless there are compelling and justifiable reasons not to do so and the process set out in this sub-clause is repeated.

**F.3.11.3 Methods 2: Financial offer and preference**

In the case of a financial offer and preferences:

- a) Score each tender in respect of the financial offer made and preferences claimed, if any, in accordance with the provisions of F.3.11.7 and F.3.11.8.
- b) Calculate the total number of tender evaluation points (TEV) in accordance with the following formula:

**TEV = NFO + NP**

**Where:** *NFO* is the number of tender evaluation points awarded for the financial offer made in accordance with F.3.11.7;

*Np* is the number of tender evaluation points awarded for preferences claimed in accordance with F.3.11.8.

INITIALS	
----------	--



- c) Rank tender offers from the highest number of tender evaluation points to the lowest.
- d) Recommend the tenderer with the highest number of tender evaluation points for the award of the contract, unless there are compelling and justifiable reasons not to do so.
- e) Rescore and re-rank all tenderers should there be compelling and justifiable reasons not to recommend the tenderer with the highest number of tender evaluation points, and recommend the tenderer with the highest number of tender evaluation points, unless there are compelling and justifiable reasons not to do so and the process set out in this sub-clause is repeated

**F.3.11.4 Method 3: Financial offer and quality**

In the case of a financial offer and quality:

- a) Score each tender in respect of the financial offer made and the quality offered in accordance with the provisions of F.3.11.7 and F.3.11.9, rejecting all tender offers that fail to score the minimum number of points for quality stated in the tender data, if any.
- b) Calculate the total number of tender evaluation points (*TEV*) in accordance with the following formula:

***TEV = NFO + NQ***

***Where: NFO is the number of tender evaluation points awarded for the financial offer made in accordance with F.3.11.7;***

***NQ is the number of tender evaluation points awarded for quality offered in accordance with F.3.11.9.***

- c) Rank tender offers from the highest number of tender evaluation points to the lowest.
- d) Recommend tenderer with the highest number of tender evaluation points for the award of the contract, unless there are compelling and justifiable reasons not to do so.
- e) Rescore and re-rank all tenderers should there be compelling and justifiable reasons not to recommend the tenderer with the highest number of tender evaluation points and recommend the tenderer with the highest number of tender evaluation points, unless there are compelling and justifiable reasons not to do so and the process set out in this sub-clause is repeated.

**F.3.11.5 Method 4: Financial offer, quality and preferences**

In the case of a financial offer, quality and preferences:

- a) Score each tender in respect of the financial offer made, preference claimed, if any, and the quality offered in accordance with the provisions of F.3.11.7 to F.3.11.9, rejecting all tender offers that fail to score the minimum number of points for quality stated in the tender data, if any.
- b) Calculate the total number of tender evaluation points (*TEV*) in accordance with the following formula, unless otherwise stated in the Tender Data:

***TEV = NFO + NP + NQ***

***Where: NFO is the number of tender evaluation points awarded for the financial offer made in accordance with F.3.11.7;***

***NP is the number of tender evaluation points awarded for preferences claimed in accordance with F.3.11.8.***

***NQ is the number of tender evaluation points awarded for quality offered in accordance with F.3.11.9.***

- c) Rank tender offers from the highest number of tender evaluation points to the lowest.
- d) Recommend the tenderer with the highest number of tender evaluation points for the award of the contract, unless there are compelling and justifiable reasons not to do so.

INITIALS	
----------	--

- e) Rescore and re-rank all tenderers should there be compelling and justifiable reasons not to recommend the tenderer with the highest number of tender evaluation points and recommend the tenderer with the highest number of tender evaluation points, unless there are compelling and justifiable reasons not to do so and the process set out in this sub-clause is repeated.

#### F.3.11.6 Decimal places

Score financial offers, preferences and quality, as relevant, to two decimal places.

#### F.3.11.7 Scoring Financial Offers

Score the financial offers of remaining responsive tender offers using the following formula:

$$NFO = W1 \times A$$

**Where:** *NFO* is the number of tender evaluation points awarded for the financial offer.

*W1* is the maximum possible number of tender evaluation points awarded for the financial offer as stated in the Tender Data.

*A* is a number calculated using the formula and option described in Table F.1 as stated in the Tender Data.

**Table F.1: Formulae for calculating the value of A**

Formula	Comparison aimed at achieving	Option 1a	Option 2a
1	Highest price or discount	$A = (1 + \frac{P-Pm}{Pm})$	$A = P/Pm$
2	Lowest price of percentage commission/fee	$A = (1 - \frac{P-Pm}{Pm})$	$A = Pm/P$
<ul style="list-style-type: none"> <li><i>Pm</i> is the comparative offer of the most favourable comparative offer</li> <li><i>P</i> is the comparative offer of the tender offer under consideration</li> </ul>			

#### F.3.11.8 Scoring preferences

Confirm that tenderers are eligible for the preferences claimed in accordance with the provisions of the tender data and reject all claims for preferences where tenderers are not eligible for such preferences. Calculate the total number of tender evaluation points for preferences claimed in accordance with the provisions of the tender data.

#### F.3.11.9 Scoring quality

Score each of the criteria and sub-criteria for quality in accordance with the provisions of the Tender Data.

Calculate the total number of tender evaluation points for quality using the following formula:

$$NQ = W2 \times SO / MS$$

**Where:** *SO* is the score for quality allocated to the submission under consideration;

*MS* is the maximum possible score for quality in respect of a submission; and

*W2* is the maximum possible number of tender evaluation points awarded for the quality as stated in the tender data

#### F.3.12 Insurance provided by the employer

If requested by the proposed successful tenderer, submit for the tenderer's information the policies and / or certificates of insurance which the conditions of contract identified in the contract data, require the employer to provide.

#### F.3.13 Acceptance of tender offer

Accept the tender offer, if in the opinion of the employer, it does not present any unacceptable commercial risk and only if the tenderer:

- a) is not under restrictions, or has principals who are under restrictions, preventing participating in the employer's procurement,

INITIALS	
----------	--



- b) can, as necessary and in relation to the proposed contract, demonstrate that he or she possesses the professional and technical qualifications, professional and technical competence, financial resources, equipment and other physical facilities, managerial capability, reliability, experience and reputation, expertise and the personnel, to perform the contract,
- c) has the legal capacity to enter into the contract,
- d) is not insolvent, in receivership, bankrupt or being wound up, has his affairs administered by a court or a judicial officer, has suspended his business activities, or is subject to legal proceedings in respect of any of the foregoing,
- e) complies with the legal requirements, if any, stated in the tender data, and
- f) is able, in the opinion of the employer, to perform the contract free of conflicts of interest.

**F.3.14 Prepare contract documents**

**F.3.14.1** If necessary, revise documents that shall form part of the contract and that were issued by the employer as part of the tender documents to take account of:

- a) addenda issued during the tender period,
- b) inclusion of some of the returnable documents, and
- c) other revisions agreed between the employer and the successful tenderer.

**F.3.14.2** Complete the schedule of deviations attached to the form of offer and acceptance, if any.

**F.3.15 Complete adjudicator's contract**

Unless alternative arrangements have been agreed or otherwise provided for in the contract, arrange for both parties to complete formalities for appointing the selected adjudicator at the same time as the main contract is signed.

**F.3.16 Notice to unsuccessful tenderers**

**F.3.16.1** Notify the successful tenderer of the employer's acceptance of his tender offer by completing and returning one copy of the form of offer and acceptance before the expiry of the validity period stated in the tender data, or agreed additional period.

**F.3.16.2** After the successful tenderer has been notified of the employer's acceptance of the tender, notify other tenderers that their tender offers have not been accepted.

**F.3.17 Provide copies of the contracts**

Provide to the successful tenderer the number of copies stated in the Tender Data of the signed copy of the contract as soon as possible after completion and signing of the form of offer and acceptance.

**F.3.18 Provide written reasons for actions taken**

Provide upon request written reasons to tenderers for any action that is taken in applying these conditions of tender, but withhold information which is not in the public interest to be divulged, which is considered to prejudice the legitimate commercial interests of tenderers or might prejudice fair competition between tenderers.

INITIALS	
----------	--



**6. GENERAL CONDITIONS OF TENDER**

1. Sealed tenders, with the “**Tender Number and Title**” clearly endorsed on the envelope, must be deposited in the **tender box indicated** at the offices of the Overstrand Municipality, Magnolia Avenue, Hermanus.
2. The tender must be lodged by the Tenderer in the tender box in the Main Cash Hall, Hermanus Municipal Offices, Magnolia Avenue, Hermanus
3. **PLEASE NOTE:**
  - 3.1. Tenders that are deposited in the incorrect box will not be considered.
  - 3.2. Tender box deposit slot is 28cm x 2.5cm.
  - 3.3. Mailed, telegraphic or faxed tenders will not be accepted.
  - 3.4. Documents may only be completed in black ink.
  - 3.5. The use of correction fluid/tape is not allowed.
  - 3.6. In the event of a mistake having been made, it shall be crossed out in ink and be accompanied by an initial at each and every alteration.
  - 3.7. Alterations or deletions not signed by the Tenderer may render the tender invalid.
  - 3.8. All bids must be submitted in writing on the official forms supplied (not to be re-typed)
  - 3.9. All prices shall be quoted in South African currency and be **INCLUSIVE** of VAT.
4. Any Tender received after the appointed time for the closing of Tenders shall not be considered but shall be filed unopened with the other Tenders received or may be returned to the Tenderer at his request.
5. Tenders may not be telefaxed to the Municipality and therefore any tenders received by fax will not be considered.
6. A separate Tender box is provided for the reception of Tenders and no Tender will be considered which, subsequent to the closing hour for Tenders, may be found in another box.
7. Tenders shall be opened in public at the Hermanus Municipal Offices as soon as possible after the closing time for the receipt of tenders.
8. Alterations or deletions not signed by the Tenderer may render the tender invalid.
9. The Municipality shall have the right to summarily disqualify any Tenderer who, either at the date of submission of this tender or at the date of its award, is indebted to the Municipality in respect of any rental, levies, rates and/or service charges; **ALTERNATIVELY;**
  - 9.1. That an agreement be signed whereby the Tenderer agrees that a percentage or fixed amount at the discretion of the Municipality, be deducted from payments due to him for this tender, until the debt is paid in full.
  - 9.2. The tenderer shall declare **all** the Municipal account numbers in the Overstrand Area for which the enterprise or the proprietors or directors in their personal capacity is/ are responsible or co-responsible.
10. All prices shall be quoted in South African currency and be **INCLUSIVE** of **VAT**.
11. This bid will be evaluated and adjudicated according to the following criteria:
  - 11.1. Relevant specifications
  - 11.2. Value for money
  - 11.3. Capability to execute the contract
  - 11.4. PPPFA & associated regulations
  - 11.5. \_\_\_\_\_ *[insert any other criteria]*

INITIALS	
----------	--



**12. Invoices**

All invoices must be forwarded to the following address:

Overstrand Municipality  
PO Box 20  
Hermanus, 7200

**13. Value-Added Tax (VAT)**

- 13.1. Tax invoices are to comply with the requirements as contained in the Value Added Tax Act, Act 89 of 1991. The content of the invoice must contain sufficient information for audit purposes.
- 13.2. It is a requirement of this contract that the amount of value-added tax (VAT) must be shown clearly on each invoice.
- 13.3. The amended Value-Added Tax Act requires that a Tax Invoice for supplies in excess of R3,000 should, in addition to the other required information, also disclose the VAT registration number of the recipient, with effect from 1 March 2005.
- 13.4. The VAT registration number of the Municipality is 4140106396.

**14. Standard Payment Terms**

- 14.1. All money owed by the municipality must be paid within 30 calendar days of receiving the relevant invoice or statement, unless prescribed otherwise for certain categories of expenditure.
- 14.2. Payment Cycles for the first 12 months of business with the Overstrand Municipality to Survivalist enterprises / Micro-enterprises
- 14.3. Survivalist enterprises / Micro-enterprises are entitled to a weekly payment cycle by the municipality.
- 14.4. In order to qualify for a weekly payment, a supplier must be classified as a Survivalist enterprises / Micro-enterprises on the Municipality's supplier database.
- 14.5. A weekly payment to Survivalist enterprises / Micro-enterprises is not a right in terms of this policy. Survivalist enterprises / Micro-enterprises may request such payments which may be made at the discretion of the Municipality.

INITIALS	
----------	--



**7. MBD 2 – TAX CLEARANCE CERTIFICATE REQUIREMENTS**

It is a condition of bid that the taxes of the successful bidder **must** be in order, or that satisfactory arrangements have been made with South African Revenue Services (SARS) to meet the bidder’s tax obligations.

1. In order to meet this requirement, bidders are required to complete in full the TCC 0001 form, “Application for a Tax Clearance Certificate” and submit it to any SARS branch office nationally. The Tax Clearance Certificate Requirements are also applicable to foreign bidders / individuals who wish to submit bids.
2. SARS will then furnish the bidder with a Tax Clearance Certificate that will be valid for a period of 1 (one) year from the date of approval.
3. The original Tax Clearance Certificate must be submitted together with the bid. Failure to submit the original and valid Tax Clearance Certificate will result in the invalidation of the bid. Certified copies of the Tax Clearance Certificate will not be accepted.
4. In bids where Consortia / Joint Ventures / Sub-Contractors are involved, each party must submit a separate Tax Clearance Certificate.
5. Copies of the TCC 001 “Application for a Tax Clearance Certificate” form are available from any SARS branch office nationally or on the website [www.sars.gov.za](http://www.sars.gov.za)
6. Applications for the Tax Clearance Certificates may also be made via e-Filing. In order to use this provision, taxpayers will need to register with SARS as e-Filers through the website [www.sars.gov.za](http://www.sars.gov.za)

INITIALS	
----------	--





3.9.	Do you have any relationship (family, friend, other) with persons in the service of the state and who may be involved with the evaluation and or adjudication of this bid?	YES		NO	
3.9.1.	If so, furnish particulars:				
3.10.	Are you aware of any relationship (family, friend, other) between a bidder and any persons in the service of the state who may be involved with the evaluation and or adjudication of this bid?	YES		NO	
3.10.1.	If so, furnish particulars:				
3.11.	Are any of the company's directors, managers, principal shareholders or stakeholders in the service of the state?	YES		NO	
3.11.1.	If so, furnish particulars:				
3.12.	Is any spouse, child or parent of the company's directors, managers, principal shareholders or stakeholders in the service of the state?	YES		NO	
3.12.1.	If so, furnish particulars:				
3.13.	Do you or any of the directors, trustees, managers, principal shareholders, or stakeholders of this company have any interest in any other related companies or business whether or not they are bidding for this contract?	YES		NO	
3.13.1.	If so, furnish particulars:				



<b>3.14.</b>	<b>Please provide the following information on ALL directors/shareholders/trustees/members below:</b>		
Full Name and Surname	Identity Number	Personal Income Tax Number	Provide State <sup>3</sup> Employee Number

**NB:**

- 1. PLEASE ATTACH CERTIFIED COPY(IES) OF ID DOCUMENT(S)**
- 2. PLEASE PROVIDE PERSONAL INCOME TAX NUMBERS FOR ALL DIRECTORS / SHAREHOLDERS / TRUSTEES / MEMBERS, ETC.**

**4. DECLARATION**

I, the undersigned (name) \_\_\_\_\_, certify that the information furnished in paragraph 3 above is correct.  
 I accept that the state may act against me should this declaration prove to be false.

SIGNATURE		DATE	
NAME OF SIGNATORY			
POSITION			
NAME OF COMPANY			

<sup>3</sup> *MSCM Regulations: "in the service of the state" means to be –*

- a. a member of –*
  - i. any municipal council;*
  - ii. any provincial legislature; or*
  - iii. the National Assembly or the National Council of Provinces;*
- b. a member of the board of directors of any municipal entity;*
- c. an official of any municipality or municipal entity;*
- d. an employee of any national or provincial department, national or provincial public entity or constitutional institution within the meaning of the Public Finance Management Act, 1999 (Act No.1 of 1999);*
- e. a member of the accounting authority of any national or provincial public entity; or*
- f. an employee of Parliament or a provincial legislature.*



**9. MBD6.1 – PREFERENCE POINTS CLAIM FORM IN TERMS OF THE PREFERENTIAL PROCUREMENT REGULATIONS 2011 – PURCHASES/SERVICES (80/20)**

**NB:**  
 Before completing this form, bidders must study the general conditions, definitions and directives applicable in respect of B-BBEE, as prescribed in the Preferential Procurement Regulations, 2011.

**1. GENERAL CONDITIONS**

- 1.1. The following preference point systems are applicable to all bids:
  - (a) the 80/20 system for requirements with a Rand value of up to R1,000,000 (all applicable taxes included); and
  - (b) the 90/10 system for requirements with a Rand value above R1,000,000 (all applicable taxes included).
- 1.2. The value of this bid is estimated to not exceed R1,000,000 (all applicable taxes included) and therefore the 80/20 system shall be applicable.
- 1.3. Preference points for this bid shall be awarded for:
  - 1.3.1. Price; and
  - 1.3.2. B-BBEE Status Level of Contribution.
- 1.4. The maximum points for this bid are allocated as follows:

	<b>POINTS</b>
1.4.1. Price	80
1.4.2. B-BBEE status level of contribution	20
<b>Total points for Price and B-BBEE must not exceed</b>	<b>100</b>

- 1.5. Failure on the part of a bidder to fill in and/or to sign this form will be interpreted to mean that preference points for B-BBEE status level of contribution are not claimed.
- 1.6. Failure on the part of a bidder to submit a B-BBEE Verification Certificate from a Verification Agency accredited by the South African Accreditation System (SANAS) or a Registered Auditor approved by the Independent Regulatory Board of Auditors (IRBA) or an Accounting Officer as contemplated in the Close Corporation Act (CCA) together with the bid will be interpreted to mean that preference points for B-BBEE status level of contribution are not claimed.
- 1.7. The Municipality reserves the right to require of a bidder, either before a bid is adjudicated or at any time subsequently, to substantiate any claim in regard to preferences, in any manner required by the Municipality.

**2. DEFINITIONS**

- 2.1. *“All Applicable Taxes”* includes value-added tax, pay as you earn, income tax, unemployment insurance fund contributions and skills development levies;
- 2.2. *“B-BBEE”* means broad-based black economic empowerment as defined in section 1 of the Broad-Based Black Economic Empowerment Act;
- 2.3. *“B-BBEE status level of contributor”* means the B-BBEE status received by a measured entity based on its overall performance using the relevant scorecard contained in the Codes of Good Practice on Black Economic Empowerment, issued in terms of section 9(1) of the Broad-Based Black Economic Empowerment Act;
- 2.4. *“Bid”* means a written offer in a prescribed or stipulated form in response to an invitation by an organ of state for the provision of services, works or goods, through price quotations, advertised competitive bidding processes or proposals;



- 2.5. *“Broad-Based Black Economic Empowerment Act”* means the Broad-Based Black Economic Empowerment Act, 2003 (Act No. 53 of 2003);
- 2.6. *“Comparative Price”* means the price after the factors of a non-firm price and all unconditional discounts that can be utilized have been taken into consideration;
- 2.7. *“Consortium or Joint Venture”* means an association of persons for the purpose of combining their expertise, property, capital, efforts, skills and knowledge in an activity for the execution of a contract;
- 2.8. *“Contract”* means the agreement that results from the acceptance of a bid by an organ of state;
- 2.9. *“EME”* means any enterprise with an annual total revenue of R5 million or less (except where Sector Charter Thresholds apply);
- 2.10. *“Firm Price”* means the price that is only subject to adjustments in accordance with the actual increase or decrease resulting from the change, imposition, or abolition of customs or excise duty and any other duty, levy, or tax, which, in terms of the law or regulation, is binding on the contractor and demonstrably has an influence on the price of any supplies, or the rendering costs of any service, for the execution of the contract;
- 2.11. *“Functionality”* means the measurement according to predetermined norms, as set out in the bid documents, of a service or commodity that is designed to be practical and useful, working or operating, taking into account, among other factors, the quality, reliability, viability and durability of a service and the technical capacity and ability of a bidder;
- 2.12. *“Non-firm Prices”* means all prices other than “firm” prices;
- 2.13. *“Person”* includes a juristic person;
- 2.14. *“Rand Value”* means the total estimated value of a contract in South African currency, calculated at the time of bid invitations, and includes all applicable taxes and excise duties;
- 2.15. *“Sub-contract”* means the primary contractor’s assigning, leasing, making out work to, or employing, another person to support such primary contractor in the execution of part of a project in terms of the contract;
- 2.16. *“Total Revenue”* bears the same meaning assigned to this expression in the Codes of Good Practice on Black Economic Empowerment, issued in terms of section 9(1) of the Broad-Based Black Economic Empowerment Act and promulgated in the Government Gazette on 9 February 2007;
- 2.17. *“Trust”* means the arrangement through which the property of one person is made over or bequeathed to a trustee to administer such property for the benefit of another person; and
- 2.18. *“Trustee”* means any person, including the founder of a trust, to whom property is bequeathed in order for such property to be administered for the benefit of another person.

**3. ADJUDICATION USING A POINT SYSTEM**

- 3.1. The bidder obtaining the highest number of total points will be awarded the contract.
- 3.2. Preference points shall be calculated after prices have been brought to a comparative basis taking into account all factors of non-firm prices and all unconditional discounts;.
- 3.3. Points scored must be rounded off to the nearest 2 decimal places.
- 3.4. In the event that two or more bids have scored equal total points, the successful bid must be the one scoring the highest number of preference points for B-BBEE.
- 3.5. However, when functionality is part of the evaluation process and two or more bids have scored equal points including equal preference points for B-BBEE, the successful bid must be the one scoring the highest score for functionality.
- 3.6. Should two or more bids be equal in all respects, the award shall be decided by the drawing of lots.



**4. POINTS AWARDED FOR PRICE**

**4.1. THE 80/20 OR 90/10 PREFERENCE POINT SYSTEMS**

A maximum of 80 or 90 points is allocated for price on the following basis:

$$P_s = 80 \left( 1 - \frac{P_t - P_{\min}}{P_{\min}} \right) \quad \text{or} \quad P_s = 90 \left( 1 - \frac{P_t - P_{\min}}{P_{\min}} \right)$$

**Where:**

- Ps = Points scored for comparative price of bid under consideration
- Pt = Comparative price of bid under consideration
- Pmin = Comparative price of lowest acceptable bid

**5. POINTS AWARDED FOR B-BBEE STATUS LEVEL OF CONTRIBUTION**

5.1. In terms of Regulation 5 (2) and 6 (2) of the Preferential Procurement Regulations, preference points must be awarded to a bidder for attaining the B-BBEE status level of contribution in accordance with the table below:

B-BBEE Status Level of Contributor	Number of points (90/10 system)	Number of points (80/20 system)
1	10	20
2	9	18
3	8	16
4	5	12
5	4	8
6	3	6
7	2	4
8	1	2
Non-compliant contributor	0	0

- 5.2. Bidders who qualify as EMEs in terms of the B-BBEE Act must submit a certificate issued by an Accounting Officer as contemplated in the CCA or a Verification Agency accredited by SANAS or a Registered Auditor. Registered auditors do not need to meet the prerequisite for IRBA's approval for the purpose of conducting verification and issuing EMEs with B-BBEE Status Level Certificates.
- 5.3. Bidders other than EMEs must submit their original and valid B-BBEE status level verification certificate **or a CERTIFIED COPY** thereof, substantiating their **B-BBEE** rating issued by a Registered Auditor approved by IRBA or a Verification Agency accredited by SANAS.
- 5.4. A trust, consortium or joint venture, will qualify for points for their B-BBEE status level as a legal entity, provided that the entity submits their B-BBEE status level certificate.
- 5.5. A trust, consortium or joint venture will qualify for points for their B-BBEE status level as an unincorporated entity, provided that the entity submits their consolidated B-BBEE scorecard as if they were a group structure and that such a consolidated B-BBEE scorecard is prepared for every separate bid.
- 5.6. Tertiary institutions and public entities will be required to submit their B-BBEE status level certificates in terms of the specialized scorecard contained in the B-BBEE Codes of Good Practice.
- 5.7. A person will not be awarded points for B-BBEE status level if it is indicated in the bid documents that such a bidder intends sub-contracting more than 25% of the value of the contract to any other enterprise that does not qualify for at least the points that such a bidder qualifies for, unless the intended sub-contractor is an EME that has the capability and ability to execute the sub-contract.
- 5.8. A person awarded a contract may not sub-contract more than 25% of the value of the contract to any other enterprise that does not have an equal or higher B-BBEE status level than the person concerned, unless the contract is sub-contracted to an EME that has the capability and ability to execute the sub-contract.



**6. BID DECLARATION**

6.1. Bidders who claim points in respect of B-BBEE Status Level of Contribution must complete the following:

<b>6.1.2. B-BBEE STATUS LEVEL OF CONTRIBUTION CLAIMED IN TERMS OF PARAGRAPHS 1.3.1.2 AND 5.1</b>	
6.1.2.1. B-BBEE Status Level of Contribution as reflected on the B-BBEE Certificate	
6.1.2.2. Points claimed in respect of Level of Contribution (maximum of 10 or 20 points)	

(Points claimed in respect of paragraph 6.1 must be in accordance with the table reflected in paragraph 5.1 and must be substantiated by means of a B-BBEE certificate issued by a Verification Agency accredited by SANAS or a Registered Auditor approved by IRBA or an Accounting Officer as contemplated in the CCA).

**7. SUB-CONTRACTING**

7.1. Will any portion of the contract be sub-contracted? <i>(Tick applicable box)</i>	YES		NO	
7.1.2. If yes, indicate:				
7.1.2.1. what percentage of the contract will be subcontracted?				%
7.1.2.2. the name of the sub-contractor?				
7.1.2.3. the B-BBEE status level of the sub-contractor?				
7.1.2.4. whether the sub-contractor is an EME? <i>(Tick applicable box)</i>	YES		NO	

**8. DECLARATION WITH REGARD TO COMPANY/FIRM**

<b>Name of Enterprise</b>			
<b>VAT registration number</b>			
<b>Company registration number</b>			
<b>TYPE OF ENTERPRISE</b> <i>(Tick applicable box)</i>	Partnership / Joint Venture / Consortium		
	One person business / sole proprietor		
	Company		
	Close Corporation		
<b>Describe principal business activities</b>			
<b>Company Classification</b> <i>(Tick applicable box)</i>	Manufacturer		
	Supplier		
	Professional service provider		
	Other service providers, e.g. transporter, etc.		
<b>TOTAL NUMBER OF YEARS THE ENTERPRISE HAS BEEN IN BUSINESS</b>			



9. I / we, the undersigned, who is / are duly authorised to do so on behalf of the company/firm, certify that the points claimed, based on the B-BBE status level of contribution indicated in paragraph 7 of the foregoing certificate, qualifies the company/ firm for the preference(s) shown and I / we acknowledge that:
- 9.1. The information furnished is true and correct;
  - 9.2. The preference points claimed are in accordance with the General Conditions as indicated in paragraph 1 of this form.
  - 9.3. In the event of a contract being awarded as a result of points claimed as shown in paragraph 7, the contractor may be required to furnish documentary proof to the satisfaction of the purchaser that the claims are correct;
  - 9.4. If the B-BBEE status level of contribution has been claimed or obtained on a fraudulent basis or any of the conditions of contract have not been fulfilled, the purchaser may, in addition to any other remedy it may have –
    - 9.4.2. disqualify the person from the bidding process;
    - 9.4.3. recover costs, losses or damages it has incurred or suffered as a result of that person’s conduct;
    - 9.4.4. cancel the contract and claim any damages which it has suffered as a result of having to make less favourable arrangements due to such cancellation;
    - 9.4.5. restrict the bidder or contractor, its shareholders and directors, or only the shareholders and directors who acted on a fraudulent basis, from obtaining business from any organ of state for a period not exceeding 10 years, after the *audi alteram partem* (hear the other side) rule has been applied; and
    - 9.4.6. forward the matter for criminal prosecution

SIGNATURE OF BIDDER(S):			
WITNESS 1:		WITNESS 2:	
DATE:			
ADDRESS:			

---

**FOR INFORMATION PURPOSES ONLY**

**PLEASE NOTE THE FOLLOWING REQUIREMENTS REGARDING VALIDATION OF B-BBEE SCORE.**

**1. EME B-BBEE STATUS LEVEL CERTIFICATES ISSUED BY AUDITORS AND ACCOUNTING OFFICERS AS CONTEMPLATED IN THE CLOSE CORPORATION ACT (ONLY IN TERMS OF THE CODES OF GOOD PRACTICE OF 2007)**

- 1.1. Certificates issued by an Auditor or Accounting Officer will be issued on his or her letterhead with the practice number and contact number clearly specified on the face of the Certificate.
- 1.2. When confirming the validity of such a certificate, the following should be detailed on the face of the certificate:
  - 1.2.1. The Auditor's / Accounting Officer's letterhead with **FULL contact details**;
  - 1.2.2. The Auditor's / Accounting Officer's **practice number**;
  - 1.2.3. The name and **physical location of the measured entity**;
  - 1.2.4. The registration number and, where applicable, the VAT number of the measured entity;
  - 1.2.5. **The date of issue and date of expiry**;
  - 1.2.6. The B-BBEE Status Level of Contribution obtained by the measured entity; and
  - 1.2.7. The **total black shareholding** and **total black female shareholding**.

**2. BIDDERS OTHER THAN EMEs**

These bidders **MUST** submit their **ORIGINAL** and valid **B-BBEE** status level verification certificate **OR A CERTIFIED COPY** thereof, substantiating their **B-BBEE** rating issued by a Registered Auditor approved by IRBA or a Verification Agency accredited by SANAS.



**10. MBD 8 – DECLARATION OF BIDDER’S PAST SUPPLY CHAIN MANAGEMENT PRACTICES**

1. This Municipal Bidding Document must form part of all bids invited.
2. It serves as a declaration to be used by municipalities and municipal entities in ensuring that when goods and services are being procured, all reasonable steps are taken to combat the abuse of the supply chain management system.
3. The bid of any bidder may be rejected if that bidder, or any of its directors have:
  - a. abused the municipality’s / municipal entity’s supply chain management system or committed any improper conduct in relation to such system;
  - b. been convicted for fraud or corruption during the past five years;
  - c. willfully neglected, reneged on or failed to comply with any government, municipal or other public sector contract during the past five years; or
  - d. been listed in the Register for Tender Defaulters in terms of section 29 of the Prevention and Combating of Corrupt Activities Act (No 12 of 2004).
4. In order to give effect to the above, the following questionnaire must be completed and submitted with the bid.

4.1	Is the bidder or any of its directors listed on the National Treasury’s database as a company or person prohibited from doing business with the public sector? <i>(Companies or persons who are listed on this database were informed in writing of this restriction by the National Treasury after the audi alteram partem rule was applied).</i>	<b>Yes</b>	<b>No</b>
4.1.1	If so, furnish particulars:		
4.2	Is the bidder or any of its directors listed on the Register for Tender Defaulters in terms of section 29 of the Prevention and Combating of Corrupt Activities Act (No 12 of 2004)? <i>(To access this Register enter the National Treasury’s website, <a href="http://www.treasury.gov.za">www.treasury.gov.za</a>, click on the icon “Register for Tender Defaulters” or submit your written request for a hard copy of the Register to facsimile number (012) 3265445).</i>	<b>Yes</b>	<b>No</b>
4.2.1	If so, furnish particulars:		
4.3	Was the bidder or any of its directors convicted by a court of law (including a court of law outside the Republic of South Africa) for fraud or corruption during the past five years?	<b>Yes</b>	<b>No</b>
4.3.1	If so, furnish particulars:		



4.4	Does the bidder or any of its directors owe any municipal rates and taxes or municipal charges to the municipality / municipal entity, or to any other municipality / municipal entity, that is in arrears for more than three months?	<b>Yes</b>	<b>No</b>
4.4.1	If so, furnish particulars:		
4.5	Was any contract between the bidder and the municipality / municipal entity or any other organ of state terminated during the past five years on account of failure to perform on or comply with the contract?	<b>Yes</b>	<b>No</b>
4.5.1	If so, furnish particulars:		

**5. CERTIFICATION**

I, the undersigned (full name), \_\_\_\_\_, certify that the information furnished on this declaration form true and correct.

I accept that, in addition to cancellation of a contract, action may be taken against me should this declaration prove to be false.

SIGNATURE:		NAME (PRINT):	
CAPACITY:		DATE:	
NAME OF FIRM:			



**11. MBD 9 – CERTIFICATE OF INDEPENDENT BID DETERMINATION**

1. This Municipal Bidding Document (MBD) must form part of all bids<sup>4</sup> invited.
2. Section 4 (1) (b) (iii) of the Competition Act No. 89 of 1998, as amended, prohibits an agreement between, or concerted practice by, firms, or a decision by an association of firms, if it is between parties in a horizontal relationship and if it involves collusive bidding (or bid rigging).<sup>5</sup> Collusive bidding is a *per se* prohibition meaning that it cannot be justified under any grounds.
3. Municipal Supply Regulation 38 (1) prescribes that a supply chain management policy must provide measures for the combating of abuse of the supply chain management system, and must enable the accounting officer, among others, to:
  - 3.1. take all reasonable steps to prevent such abuse;
  - 3.2. reject the bid of any bidder if that bidder or any of its directors has abused the supply chain management system of the municipality or municipal entity or has committed any improper conduct in relation to such system; and
  - 3.3. cancel a contract awarded to a person if the person committed any corrupt or fraudulent act during the bidding process or the execution of the contract.
4. This MBD serves as a certificate of declaration that would be used by institutions to ensure that, when bids are considered, reasonable steps are taken to prevent any form of bid-rigging.
5. In order to give effect to the above, the attached Certificate of Bid Determination (MBD 9) must be completed and submitted with the bid:

**CERTIFICATE OF INDEPENDENT BID DETERMINATION:**

In response to the invitation for the bid made by:

**OVERSTRAND MUNICIPALITY**

I, the undersigned, in submitting the accompanying bid, hereby make the following statements that I certify to be true and complete in every respect:

1. I have read and I understand the contents of this Certificate;
2. I understand that the accompanying bid will be disqualified if this Certificate is found not to be true and complete in every respect;
3. I am authorized by the bidder to sign this Certificate, and to submit the accompanying bid, on behalf of the bidder;
4. Each person whose signature appears on the accompanying bid has been authorized by the bidder to determine the terms of, and to sign, the bid, on behalf of the bidder;

<sup>4</sup> Includes price quotations, advertised competitive bids, limited bids and proposals.

<sup>5</sup> Bid rigging (or collusive bidding) occurs when businesses, that would otherwise be expected to compete, secretly conspire to raise prices or lower the quality of goods and / or services for purchasers who wish to acquire goods and / or services through a bidding process. Bid rigging is, therefore, an agreement between competitors not to compete.



5. For the purposes of this Certificate and the accompanying bid, I understand that the word “competitor” shall include any individual or organization, other than the bidder, whether or not affiliated with the bidder, who:
  - 5.1. has been requested to submit a bid in response to this bid invitation;
  - 5.2. could potentially submit a bid in response to this bid invitation, based on their qualifications, abilities or experience; and
  - 5.3. provides the same goods and services as the bidder and/or is in the same line of business as the bidder
6. The bidder has arrived at the accompanying bid independently from, and without consultation, communication, agreement or arrangement with any competitor. However communication between partners in a joint venture or consortium<sup>6</sup> will not be construed as collusive bidding.
7. In particular, without limiting the generality of paragraphs 6 above, there has been no consultation, communication, agreement or arrangement with any competitor regarding:
  - 7.1. prices;
  - 7.2. geographical area where product or service will be rendered (market allocation)
  - 7.3. methods, factors or formulas used to calculate prices;
  - 7.4. the intention or decision to submit or not to submit, a bid;
  - 7.5. the submission of a bid which does not meet the specifications and conditions of the bid; or
  - 7.6. bidding with the intention not to win the bid.
8. In addition, there have been no consultations, communications, agreements or arrangements with any competitor regarding the quality, quantity, specifications and conditions or delivery particulars of the products or services to which this bid invitation relates.
9. The terms of the accompanying bid have not been, and will not be, disclosed by the bidder, directly or indirectly, to any competitor, prior to the date and time of the official bid opening or of the awarding of the contract.
10. I am aware that, in addition and without prejudice to any other remedy provided to combat any restrictive practices related to bids and contracts, bids that are suspicious will be reported to the Competition Commission for investigation and possible imposition of administrative penalties in terms of section 59 of the Competition Act No. 89 of 1998 and or may be reported to the National Prosecuting Authority (NPA) for criminal investigation and or may be restricted from conducting business with the public sector for a period not exceeding ten (10) years in terms of the Prevention and Combating of Corrupt Activities Act No. 12 of 2004 or any other applicable legislation.

SIGNATURE		NAME (PRINT)	
CAPACITY		DATE	
NAME OF FIRM			

<sup>6</sup> Joint venture or Consortium means an association of persons for the purpose of combining their expertise, property, capital, efforts, skill and knowledge in an activity for the execution of a contract.



**12. MBD 15 – CERTIFICATE FOR PAYMENT OF MUNICIPAL SERVICES**

**DECLARATION IN TERMS OF CLAUSE 112(1) OF THE MUNICIPAL FINANCE MANAGEMENT ACT (NO.56 OF 2003) - (To be signed in the presence of a Commissioner of Oaths)**

I, \_\_\_\_\_, \_\_\_\_\_ (full name and ID no.), hereby acknowledge that according to SCM Regulation 38(1)(d)(i), the Municipality may reject the tender of the tenderer if any municipal rates and taxes or municipal service charges owed by the Tenderer or any of its directors/members/partners to the Overstrand Municipality, or to any other municipality or municipal entity, are in arrears for more than 3 (three) months.

I declare that I am duly authorised to act on behalf of \_\_\_\_\_ (name of the firm) and hereby declare, that to the best of my personal knowledge, neither the firm nor any director/member/partner of said firm is in arrears on any of its municipal accounts with any municipality in the Republic of South Africa, for a period longer than 3 (three) months.

I further hereby certify that the information set out in this schedule and/or attachment(s) hereto is true and correct. The Tenderer acknowledges that failure to properly and truthfully complete this schedule may result in the tender being disqualified, and/or in the event that the tenderer is successful, the cancellation of the contract.

PHYSICAL BUSINESS ADDRESS(ES) OF THE TENDERER	MUNICIPAL ACCOUNT NUMBER

**FURTHER DETAILS OF THE BIDDER’S Director / Shareholder / Partners, etc.:**

Director / Shareholder / partner	Physical address of the Business	Municipal Account number(s)	Physical residential address of the Director / shareholder / partner	Municipal Account number(s)

**NB: Please attach certified copy(ies) of ID document(s)**  
**If the entity or any of its Directors/Shareholders/Partners, etc. rents/leases premises, a copy of the rental/lease agreement must be submitted with this tender.**

Signature	Position	Date

<p style="text-align: center;"><b>COMMISSIONER OF OATHS</b></p> <p>Signed and sworn to before me at _____, on this _____ day of _____ 20__</p> <p>by the Deponent, who has acknowledged that he/she knows and understands the contents of this Affidavit, it is true and correct to the best of his/her knowledge and that he/she has no objection to taking the prescribed oath, and that the prescribed oath will be binding on his/her conscience.</p> <p><b>COMMISSIONER OF OATHS:-</b></p> <p>Position: _____</p> <p>Address: _____</p> <p>Tel: _____</p>	<p><b>Apply official stamp of authority on this page:</b></p>
--	---



**13. MBD 16 – KEY PERFORMANCE INDICATORS**

1. KEY PERFORMANCE INDICATORS (KPIs)			
a.	Work(s) performed / goods delivered within timeframes specified		
b.	Work(s) performed / goods delivered within financial framework specified		
c.	Acceptable quality of work(s) performed / goods delivered		
d.	OTHER:		
	1.		
	2.		
	3.		
	4.		
	5.		
<p>I / We acknowledge that I / we am / are fully acquainted with the abovementioned Key Performance Indicators (KPIs) applicable to this tender / contract as stipulated by the Municipality and that I / we accept these Key Performance Indicators (KPIs) in all respects.</p> <p>I / We furthermore confirm I / we satisfied myself / ourselves as to the corrections and validity of my / our tender: that the price quoted cover all the work / item(s) specified in the tender document and that the price cover all my / our obligations under a resulting contract and that I / we accept that any mistake(s) regarding price and calculations will be at my / our risk.</p>			
SIGNATURE		NAME (PRINT)	
CAPACITY		DATE	
NAME OF FIRM			
WITNESS 1		WITNESS 2	



**14. SECTION 37(2) OF THE OCCUPATIONAL HEALTH AND SAFETY ACT, 1993  
(ACT 85 OF 1993)**

**INTRODUCTION**

The Occupational Health and Safety Act, 1993 (Act 85 of 1993) stipulates that the Chief Executive Officer is primarily responsible or liable for the health and safety of all his/her employees. This is embedded in Section 16(1) of the said Act. This responsibility or liability is also extended to include a mandatory that performs work on behalf of the employer on his/her premises.

A “mandatory” is defined in the said Act as: - *“Including an agent, contractor or subcontractor for work, but without derogating from his status in his own right as an employer or user”*

In terms of Section 37(2), read with Section 41, of the said Act, it is legally possible for an employer to indemnify himself from this responsibility or liability regarding the actions of the mandatory. Section 37(2) stipulates that there should be a written agreement in place between the employer and the mandatory regarding the arrangements and procedures between them to ensure compliance by the mandatory with the provisions of the Occupational Health and Safety Act, 1993.

By ensuring that there is a written agreement in place, the Management of Overstrand Municipality is acting in a responsible manner, so as to ensure that this requirement is indeed being met.

In order to ensure that this written agreement is honoured at all times, regular inspections of work that is performed will be conducted and if found not complying with the said agreement, a notice of non-compliance will be issued. All work will be stopped and reasons for non-compliance must be given and what corrective action will be taken to rectify the situation must be stipulated.

<b>COMPENSATION FOR OCCUPATIONAL INJURIES AND DISEASES ACT, 1993 (ACT 130 OF 1993)</b>	
<p><b>Overstrand Municipality</b> has legal duty in terms of Section 89 of the said Act to ensure that all contractors with whom agreements are entered into for the execution of work are registered as employers in accordance with the provisions of this Act and that all the necessary assessments have been paid by the contractor.</p> <p>In order to enter into this agreement, the following information is needed regarding the above-mentioned:</p>	
Contractor's registration number with the office of the Compensation Commissioner:	
<p><b>NOTE:</b> A copy of the latest receipt together with a copy of the relevant assessment OR a copy of a valid Letter of Good Standing must be handed in, in this regard.</p>	

PRINT NAME:			
CAPACITY:		Name of firm	
SIGNATURE:		DATE:	



**WRITTEN AGREEMENT**

This is a written agreement between

**OVERSTRAND MUNICIPALITY**

And

\_\_\_\_\_

(Name of the MANDATORY)

in terms Section 37(2) of the Occupational Health and Safety Act, 1993 (Act 85 of 1993) as amended.

I, \_\_\_\_\_,  
 representing the MANDATORY do hereby acknowledge that \_\_\_\_\_  
 (mandatory) is an employer in its own right with duties as prescribed in the Occupational Health and Safety Act, 1993 (Act 85 of 1993) as amended and agree to ensure that all work that will be performed, any article or substance that will be produced, processed, used, handled, stored or transported and plant and machinery that will be used, will be done in accordance with the provisions of the said Act.

I furthermore agree to comply with the Health and Safety requirements and to liaise with the Municipality should I, for whatever reason, be unable to perform in terms of this Agreement.

SIGNED ON BEHALF OF MANDATORY			
DATE:		PLACE:	
PRINT NAME:			
CAPACITY:			
SIGNATURE:			

SIGNED ON BEHALF OF THE MUNICIPALITY			
DATE:		PLACE:	
PRINT NAME:			
CAPACITY:			
SIGNATURE:			

MUNISIPALITEIT



MUNICIPALITY

## 15. FORM OF INDEMNITY

**INDEMNITY**

Given by (Name of Company) \_\_\_\_\_  
 of (registered address of Company) \_\_\_\_\_  
 a company incorporated with limited liability according to the Company Laws of the Republic of South Africa (hereinafter called the Contractor), represented herein by (Name of Representative) \_\_\_\_\_  
 \_\_\_\_\_ in his capacity as (Designation) \_\_\_\_\_  
 of the Contractor, is duly authorised hereto by a resolution dated \_\_\_\_\_ /20\_\_\_\_,  
 to sign on behalf of the Contractor.

**WHEREAS** the Contractor has entered into a Contract dated \_\_\_\_\_ / 20\_\_\_\_ ,  
 with the Municipality who require this indemnity from the Contractor.

**NOW THEREFORE THIS DEED WITNESSES** that the Contractor does hereby indemnify and hold harmless the Municipality in respect of all loss or damage that may be incurred or sustained by the Municipality by reason of or in any way arising out of or caused by operations that may be carried out by the Contractor in connection with the aforementioned contract; and also in respect of all claims that may be made against the Municipality in consequence of such operations, by reason of or in any way arising out of any accidents or damage to life or property or any other cause whatsoever; and also in respect of all legal or other expenses that may be incurred by the Municipality in examining, resisting or settling any such claims; for the due performance of which the Contractor binds itself according to law.

SIGNATURE		NAME (PRINT)	
CAPACITY		DATE	
NAME OF FIRM			
SIGNATURE OF WITNESS 1:		DATE	



## **PART B – SPECIFICATIONS AND PRICING SCHEDULE**



**16. SPECIFICATIONS**

**1. BACKGROUND AND SITE DESCRIPTION**

- 1.1. The Hall comprises of a main core building (+/- 22m long by 8.5m wide x 3.5m high to the eaves) aligned north - south with attached 'lean-to' structures on the east and west long walls.
- 1.2. The original building was constructed in 1937 consisting of the core building with the two lean-to's added at a later date.
- 1.3. The present Works are to the roof of the core building. Not to the lean-to's.
- 1.4. The core building construction is conventional masonry with suspended timber flooring and the roof being metal corrugated sheeting over a timber structure.
- 1.5. The timber roof structure is in two seamless parts, namely pre-manufactured trusses over the stage area of the hall (approx. 6m long) and *insitu* nailed 'Oregon-pine' trusses over the remainder (approx. 16m).

**2. SCOPE OF WORKS**

**2.1. The Scope of Works includes:**

- 2.1.1. Strengthening and bracing of the 'Oregon-pine' trusses
- 2.1.2. Apply additional fixings to the roof sheeting of the core building.
- 2.1.3. Lay Insulation to the roof space of the 'Oregon-pine' trusses.

**2.2. Details:**

**2.2.1. Strengthening and bracing of the 'Oregon-pine' trusses;**

- 2.2.1.1. The rafters of the 'Oregon-pine' trusses shall be strengthened by bolting on a double 52 \* 152mm S A Pine scab.
- 2.2.1.2. The scabs shall be the full length of the rafter, from the adjacent to the apex king-post to the wall-plate.
- 2.2.1.3. Bolting of the scabs to be with M12 bolts at 750mm centres, staggered.
- 2.2.1.4. In addition to the scab bolting, all joints to the existing 'Oregon-pine" trusses to be secured with a M12 bolt. (two at the apex, one at the kingpost / bottom chord junction, two at each heel = total 6 bolts to each truss.)
- 2.2.1.5. Longitudinal bracing shall be installed, comprising of two runners nailed to the top side of the bottom chord, equally spaced between the heel joints, extending the full length of the 'Oregon-pine' truss section.
- 2.2.1.6. Diagonal bracing shall be installed, to the bottom chord and to the rafters (between the purlins) at two truss bays.
- 2.2.1.7. The above repairs need to be carried out inside the existing ceiling void without removing the existing roof sheets. To practically achieve this, a portion of the ceiling will have to be removed and replaced once the work is completed.
- 2.2.1.8. Special care needs to be taken not to damage the existing ceiling or the services inside the ceiling. Making good of damaged services will be to the contractor's account.
- 2.2.1.9. It is envisaged that the removal of two of the ceiling panels will be sufficient to gain access to the ceiling void and provide adequate working space. It is the Contractor's responsibility to make adequate allowance for access and making good, including re-decorating the ceiling where removed or damaged to match the existing.

SIGNATURE		NAME (PRINT)	
CAPACITY		DATE	
NAME OF FIRM			



2.2.1.10. Refer to the following attached drawings:

- a) ITC roof erectors handbook; page 7 - connection details for multiple ply girders.
- b) ITC roof erectors handbook; page 46 - top chord bracing for sheeted roofs.
- c) ITC roof erectors handbook; page 52 - general rules for bottom chord runner /binder and web runner / binder requirements.
- d) ITC roof erectors handbook; page 53 - runner / binder splicing details.

**2.2.2. Applying additional fixings to the roof sheeting of the core building;**

In between the existing roofing screws, additional 12 x 50mm Class 4 Timberfix roofing screws (or similar approved) shall be installed.

**2.2.3. Lay Insulation to the roof space of the 'Oregon-pine' trusses;**

2.2.3.1. Two layers of thermal insulation shall be laid on top of the ceiling, snugly fitting between trusses with no gaps of any kind.

2.2.3.2. The two layers shall comprise of:

- a) a layer of 100mm Isotherm (or similar approved product) with a density of 11.5 kg/m<sup>3</sup> and,
- b) a layer of 75mm Isotherm (or similar approved product) with a density of 10 kg/m<sup>3</sup>

2.3. The opening in the attic drywall partitioning between the 'Oregon-pine' truss area and the pre-manufactured truss section shall be repaired and re-decorated to match existing.

**3. BASIC MATERIAL LIST**

The following material list is indicative of requirements for the Works described above and is not necessarily complete:

**3.1. For 2.2.1 and 2.2.2**

3.1.1.	50 x 152 x 5.4m SA Pine S5 H2 Treated Scabs	48
3.1.2.	38 x 114 x 2.4m SA Pine S5 H2 Treated Bracing	20
3.1.3.	38 x 114 x 3.3m SA Pine S5 H2 Treated Bracing	6
3.1.4.	38 x 76 x 6.0m SA Pine S5 H2 Treated Runners	6
3.1.5.	50 x 50 x 50 x 2.5mm Galvanised brackets, as Economic Multi-Purpose 01 bracket (EMP01),supplied by Timberloc, or similar approved	50
3.1.6.	M12 x 40 Galvanized Coach Screws	100
3.1.7.	M12 x 180 Galvanized Bolts and Nuts	240
3.1.8.	40 x 40 x 4mm Galvanized Square Washers	480
3.1.9.	100mm Round Wire Nails	10 kg
3.1.10.	75mm Round Wire Nails	4 kg
3.1.11.	12 x 50mm Type 17 Class 4 Roofing Screws	1200
3.1.12.	6.4mm Gypsum, or similar approved, Plaster Board 1.2 x 4.2m	2
3.1.13.	6.4mm Gypsum, or similar approved, Plaster Board 0.9 x 4.2m	2
3.1.14.	32mm Coarse Thread Drywall Screws	600

SIGNATURE		NAME (PRINT)	
CAPACITY		DATE	
NAME OF FIRM			



**3.2. For 2.2.3**

- 3.2.1. IsoTherm, or similar approved, 100mm 1.2 x 6m (11.5kg/m<sup>3</sup>) 22 rolls
- 3.2.2. IsoTherm, or similar approved, 75mm 1.2 x 8m (10kg/m<sup>3</sup>) 17 rolls

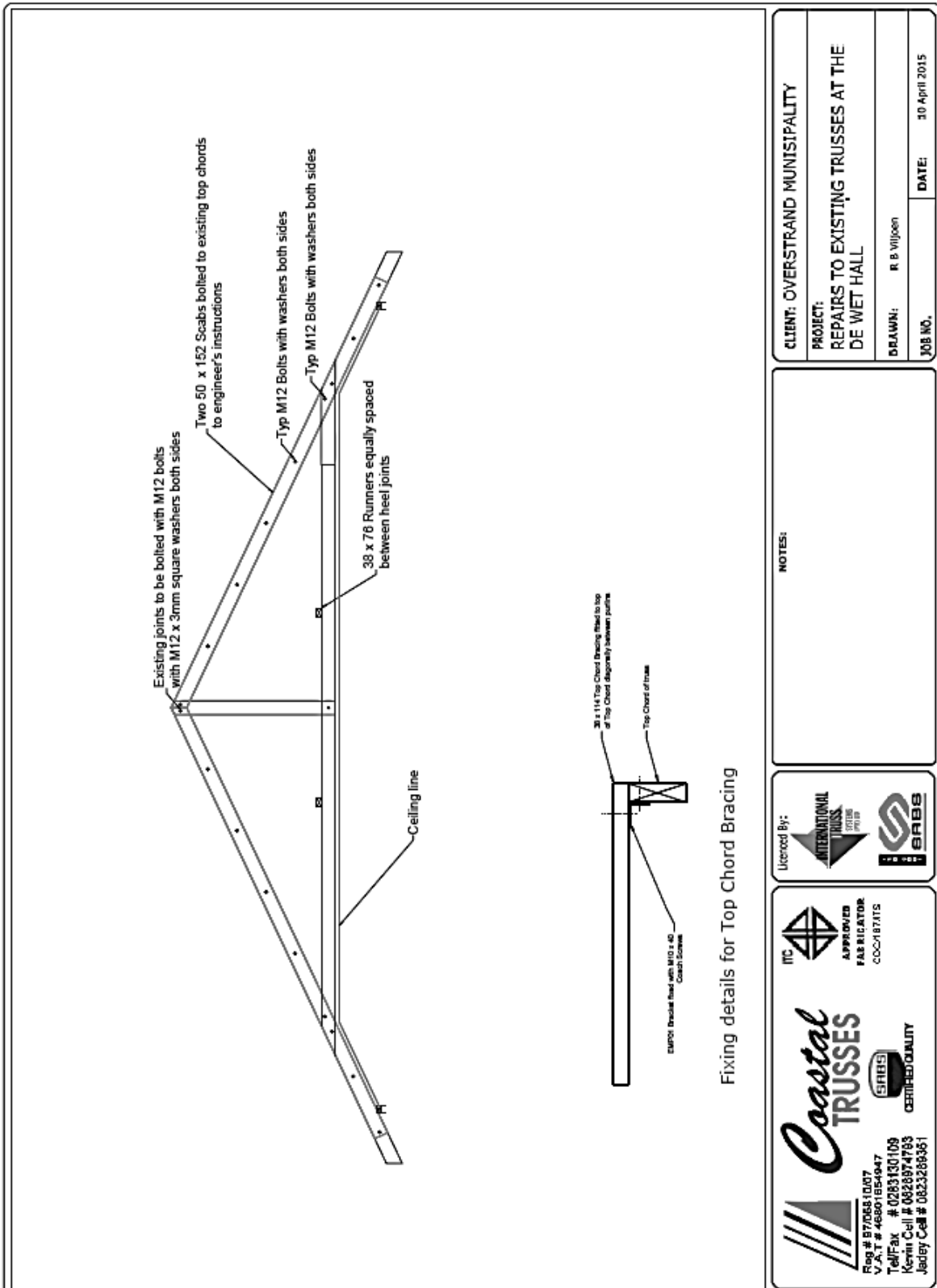
**4. NOTES**

- 4.1. The contractor must quote for the labour and materials stated above as follows:
  - 4.1.1. 1 (one) price for strengthening and bracing the trusses as well as the additional fixing to the roof sheeting i.e. items 2.2.1 and 2.2.2 and
  - 4.1.2. 1 (one) price for laying insulation to the roof space i.e. item 2.2.3
- 4.2. Dependent on the funds available, the contractor may be required to perform only items 2.2.1 and 2.2.2 **or** items 2.2.1, 2.2.2 and 2.2.3
- 4.3. The contractor is to complete the work within 2 weeks from the date of the order.
- 4.4. Work will have to be completed to the satisfaction of the Engineer (Ulwazi Consulting Engineers)
- 4.5. The Works shall be carried out by a competent Contractor with approved experience in the erection of timber roof structures in accordance with the relevant ITC (Institute for Timber Construction) Standard Details.
- 4.6. The Contractor shall make allowance in his tender for all temporary works, including protection of the existing building, scaffolding, ablutions, and site security. Also, the Contractor shall comply with all Occupational Health and Safety requirements. The contractor must ensure that the existing Oregon Pine Floor is not damaged in any way.

**5. GENERAL**

- 5.1. The tender must be valid for a period of 90 days from closing date
- 5.2. A compulsory site meeting will be held on 29 May 2015 at 10:00 at the Dewet Hall, Roos Street, Onrus River. Failure to attend will result in the quotation not being evaluated.

SIGNATURE		NAME (PRINT)	
CAPACITY		DATE	
NAME OF FIRM			



Existing joints to be bolted with M12 bolts with M12 x 3mm square washers both sides

Two 50 x 152 Scabs bolted to existing top chords to engineer's instructions

Typ M12 Bolts with washers both sides

Typ M12 Bolts with washers both sides

38 x 76 Runners equally spaced between heel joints

Ceiling line

2 x 114 Top Chord Bracing fixed to top of Top Chord diagonally between joints

Top Chord of truss



6000 x 1000 fixed with M10 x 40 Cast Screw

**Fixing details for Top Chord Bracing**



<b>CLIENT:</b> OVERSTRAND MUNICIPALITY	<b>DATE:</b> 30 April 2015
<b>PROJECT:</b> REPAIRS TO EXISTING TRUSSES AT THE DE WET HALL	
<b>DRAWN:</b> R. B. Viljoen	
<b>JOB NO.:</b>	

**NOTES:**

Approved By:

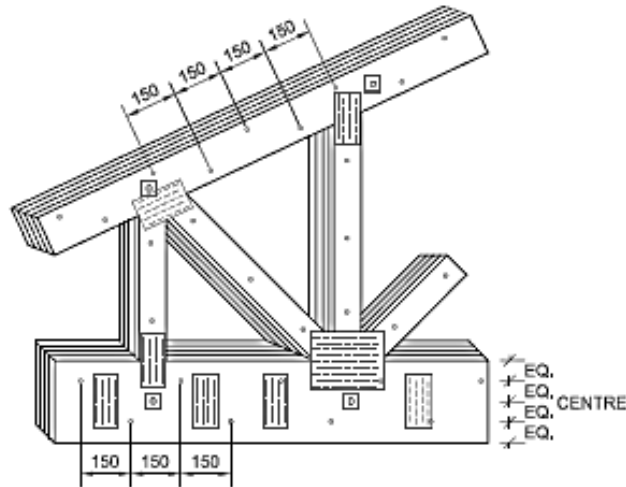
ITC APPROVED FABRICATOR COC-187/15

Reg # B70651007  
V.A.T # 4680185-0947  
Tel/Fax # 0283130109  
Kerrie Cell # 0828974783  
Jacoby Cell # 0823268361

SIGNATURE		NAME (PRINT)	
CAPACITY		DATE	
NAME OF FIRM			

**NOTE: GIRDERS TO BE BOLTED AND NAILED BEFORE ROOF IS LOADED.**



**TWO PLY GIRDER:**

DOUBLE MEMBER GIRDER TO BE NAILED TOGETHER WITH 100mm NAILS AT 150mm CENTRES REELED PITCH ALONG THE TOP AND BOTTOM CHORDS AND AT 300mm CENTRES ALONG THE CENTRE LINES OF THE WEBS.  
BOLT WITH ONE OFF M12 BOLT AND WASHERS AT EACH JOINT ALONG THE CENTRE LINES OF CHORDS. ALL TRUSS HANGERS AND CLEATS TO BE BOLTED AS PER DESIGNER SPECIFICATIONS.  
(AS SHOWN ON THE TRUSS DETAILS AND ROOF PLAN).

**TWO PLY GIRDER:  
(INCOMING TRUSSES ON BOTH SIDES)**

DOUBLE MEMBER GIRDER TO BE NAILED TOGETHER WITH 100mm NAILS AT 150mm CENTRES REELED PITCH ALONG THE TOP AND BOTTOM CHORDS AND AT 300mm CENTRES ALONG THE CENTRE LINES OF THE WEBS.  
NO BOLTS ARE REQUIRED WHERE THE SUPPORTED TRUSSES COME ONTO THE GIRDER FROM BOTH SIDES AND THE LOADS ARE SIMILAR.

**THREE PLY GIRDER:**

TWO TRUSSES TO BE NAILED TOGETHER WITH 100mm NAILS AT 150mm CENTRES REELED PITCH ALONG THE TOP AND BOTTOM CHORDS AND AT 300mm CENTRES ALONG THE CENTRE LINES OF THE WEBS.  
THIRD MEMBER THEN TO BE SIMILARLY NAILED ONTO DOUBLE TRUSS. BOLT WITH 1 OFF M12 BOLT AND WASHERS AT EACH JOINT ALONG THE CENTRE LINES OF CHORDS. ALL TRUSS HANGERS AND CLEATS TO BE BOLTED AS PER DESIGNER SPECIFICATIONS. (AS SHOWN ON THE TRUSS DETAILS AND ROOF PLAN).

**FOUR PLY GIRDER:**

TWO TRUSSES TO BE NAILED TOGETHER WITH 100mm NAILS AT 150mm CENTRES REELED PITCH ALONG THE TOP AND BOTTOM CHORDS AND AT 300mm CENTRES ALONG THE CENTRE LINES OF THE WEBS.  
THIRD AND FORTH MEMBER THEN TO BE SIMILARLY NAILED TO EITHER SIDE OF THE DOUBLE TRUSS. BOLT WITH 1 OFF M12 BOLT AND WASHERS AT EACH JOINT ALONG THE CENTRE LINES OF CHORDS.  
ALL TRUSS HANGERS AND CLEATS TO BE BOLTED AS PER DESIGNER SPECIFICATIONS. (AS SHOWN ON THE TRUSS DETAILS AND ROOF PLAN).

**CONNECTION DETAILS FOR TWO, THREE AND FOUR PLY GIRDERS**

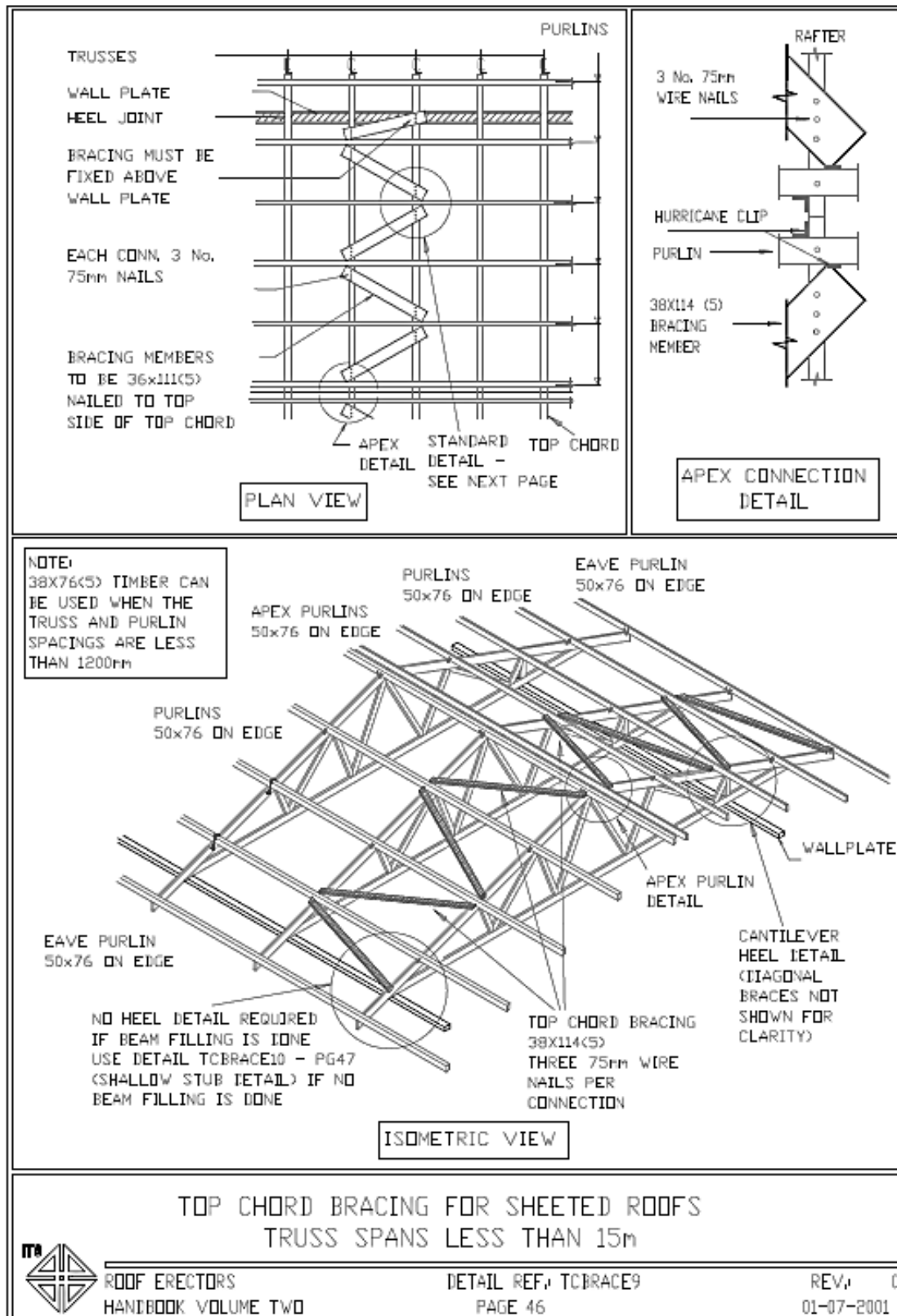


ROOF ERECTORS  
HANDBOOK VOLUME TWO

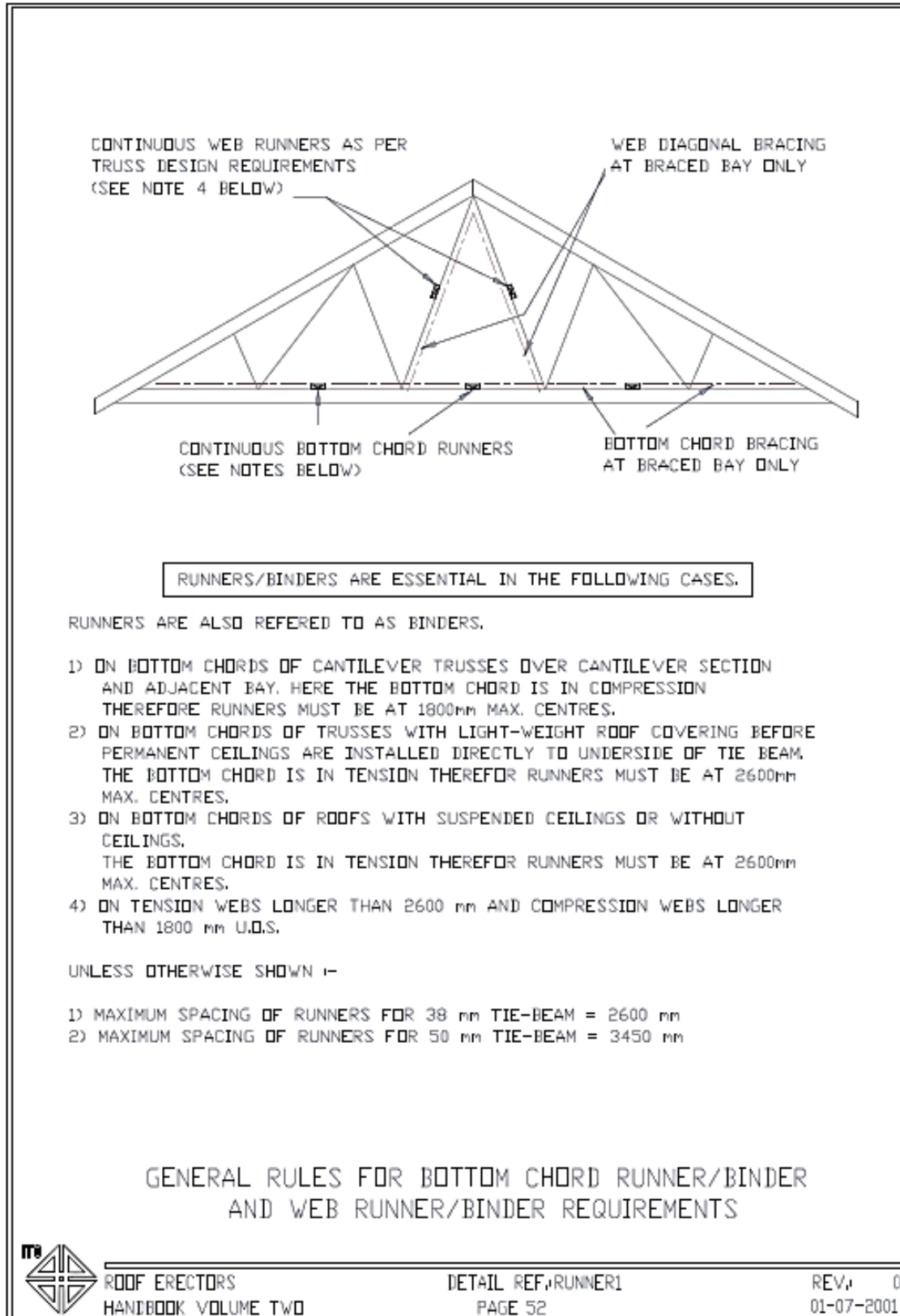
DETAIL REF: GIRDER 1  
Page 7

REV: 1  
26 - 04 - 2006

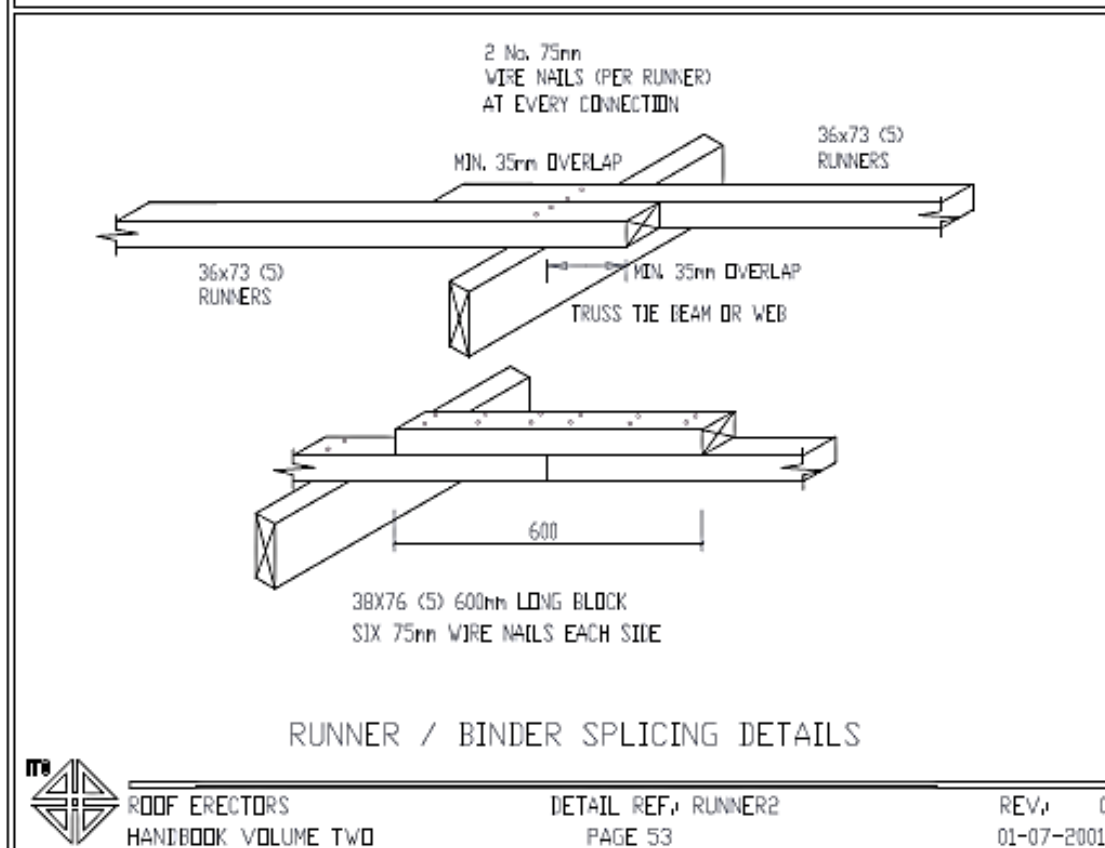
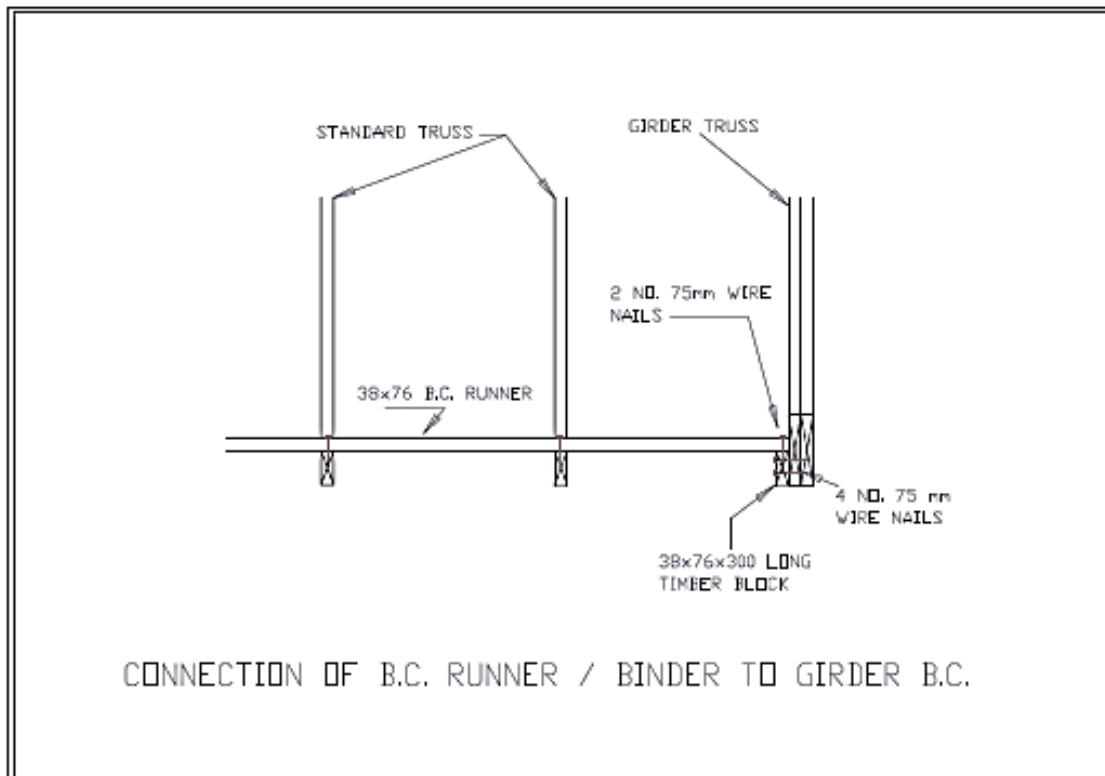
SIGNATURE		NAME (PRINT)	
CAPACITY		DATE	
NAME OF FIRM			



SIGNATURE		NAME (PRINT)	
CAPACITY		DATE	
NAME OF FIRM			



SIGNATURE		NAME (PRINT)	
CAPACITY		DATE	
NAME OF FIRM			



ROOF ERECTORS  
HANDBOOK VOLUME TWO

DETAIL REF: RUNNER2  
PAGE 53

REV: 0  
01-07-2001

SIGNATURE		NAME (PRINT)	
CAPACITY		DATE	
NAME OF FIRM			





**18. SCHEDULE OF WORK EXPERIENCE OF THE TENDERER – CURRENT CONTRACTS – PROJECT MANAGER**

CURRENT CONTRACTS						
EMPLOYER (Name, Tel, Fax, Email)		Contact Person (Name, Tel, Fax, Email)		NATURE OF WORK	VALUE OF WORK (INCL. VAT)	DATE COMPLETED
Name		Name				
Tel		Tel				
Fax		Fax				
Email		Email				
Name		Name				
Tel		Tel				
Fax		Fax				
Email		Email				
Name		Name				
Tel		Tel				
Fax		Fax				
Email		Email				
Name		Name				
Tel		Tel				
Fax		Fax				
Email		Email				
Name		Name				
Tel		Tel				
Fax		Fax				
Email		Email				
Name		Name				
Tel		Tel				
Fax		Fax				
Email		Email				

Attach additional pages if more space is required.

Number of sheets appended by the tenderer to this schedule (If nil, enter NIL)

SIGNATURE		NAME (PRINT)	
CAPACITY		DATE	
NAME OF FIRM			



**19. SCHEDULE OF WORK EXPERIENCE OF THE TENDERER – COMPLETED CONTRACTS – PROJECT MANAGER**

The following is a statement of similar work successfully executed by myself / ourselves:

COMPLETED CONTRACTS						
EMPLOYER (Name, Tel, Fax, Email)		Contact Person (Name, Tel, Fax, Email)		NATURE OF WORK	VALUE OF WORK (INCL. VAT)	DATE COMPLETED
Name		Name				
Tel		Tel				
Fax		Fax				
Email		Email				
Name		Name				
Tel		Tel				
Fax		Fax				
Email		Email				
Name		Name				
Tel		Tel				
Fax		Fax				
Email		Email				
Name		Name				
Tel		Tel				
Fax		Fax				
Email		Email				
Name		Name				
Tel		Tel				
Fax		Fax				
Email		Email				
Name		Name				
Tel		Tel				
Fax		Fax				
Email		Email				
Name		Name				
Tel		Tel				
Fax		Fax				
Email		Email				

Attach additional pages if mores space is required.

Number of sheets appended by the tenderer to this schedule (If nil, enter NIL)	
--	--

SIGNATURE		NAME (PRINT)	
CAPACITY		DATE	
NAME OF FIRM			



**20. CERTIFICATE OF REGISTRATION WITH CIDB**

**CIDB Contractor Registration Certificate**

A Certificate of Contractors Registration issued by the Construction Industry Development Board (CIDB) shall be attached to this schedule.

Where a tenderer satisfies CIDB Contractor Grading designation requirements through joint venture formation, such tenderers must submit the Certificates of Contractor Registration in respect of each partner.

Number of sheets appended by the tenderer to this schedule (If nil, enter NIL)	
--	--

SIGNATURE		NAME (PRINT)	
CAPACITY		DATE	
NAME OF FIRM			

SIGNATURE		NAME (PRINT)	
CAPACITY		DATE	
NAME OF FIRM			



**21. FORM OF OFFER AND ACCEPTANCE**

**NOTE:**

1. This form must be completed in duplicate by both the successful bidder (Part 1) and the purchaser (Part 2). Both forms must be signed in the original so that the successful bidder and the purchaser will be in possession of originally signed contracts for their respective records.

2. NO correction fluid/tape may be used.

In the event of a mistake having been made, it shall be crossed out in ink and be accompanied by an initial at each and every alteration.

**1. OFFER**

- a) The Employer, identified in the Acceptance signature block, has solicited offers to enter into a contract in respect of the following works: **SC1611/2015: STRENGTHENING OF THE DE WET HALL ROOF STRUCTURE, ONRUS RIVER, HERMANUS.**
- b) The tenderer, identified in the Offer signature block, has examined the draft contract as listed in the Acceptance section and agreed to provide this Offer.
- c) By the representative of the Tenderer, deemed to be duly authorised, signing this part of this Form of Offer and Acceptance, the Tenderer offers to perform all of the obligations and liabilities of the **Employer** under the contract, including compliance with all its terms and conditions according to their true intent and meaning for an amount to be determined in accordance with the conditions of contract identified in the Contract Data.

	Item	Price Excluding VAT	Price Including VAT
1	Strengthening and bracing trusses and additional fixing to roof sheeting as per items 2.2.1 and 2.2.2 of Specifications		
2	Laying Insulation to roof space as per item 2.2.3 of Specifications		

<b>COMPLETION PERIOD (In weeks)</b>	
-------------------------------------	--

- d) This Offer may be accepted by the Employer by signing the Acceptance part of this Form of Offer and Acceptance and returning one copy of this document to the Tenderer before the end of the period of validity stated in the Tender Data, whereupon the Tenderer becomes the party named as the **Contractor** in the conditions of contract identified in the Contract Data.

Signature(s)		
Name(s)		
Capacity		
Name of tenderer:		
Name of witness:	<i>(Insert name and address of organisation)</i>	Date
Signature of witness:		

**2. ACCEPTANCE**

- a) By signing this part of this Form of Offer and Acceptance, the Employer identified below accepts the tenderer's Offer. In consideration thereof, the Employer shall pay the Contractor the amount due in accordance with the conditions of contract identified in the Contract Data. Acceptance of the tenderer's Offer shall form an agreement between the Employer and the tenderer upon the terms and conditions contained in this agreement and in the contract that is the subject of this agreement.
- b) Deviations from and amendments to the documents listed in the Tender Data and any addenda thereto listed in the Returnable Schedules as well as any changes to the terms of the Offer agreed by the tenderer and the Employer during this process of offer and acceptance, are contained in the Schedule of Deviations attached to and forming part of this Form of Offer and Acceptance. No amendments to or deviations from said documents are valid unless contained in this Schedule.
- c) It is expressly agreed that no other matter whether in writing, oral communication or implied during the period between the issue of the tender documents and the receipt by the tenderer of a completed signed copy of this Agreement shall have any meaning or effect in the contract between the parties arising from this agreement.

Signature(s):		
Name(s):		
Capacity:		
<b>For the Employer:</b>	<b>Overstrand Municipality, Magnolia Avenue, Hermanus</b>	
Name of witness:		Date:
Signature of witness:		

<b>22. DECLARATION BY TENDERER</b>
------------------------------------

I / We acknowledge that I / we am / are fully acquainted with the contents of the conditions of tender of this tender document and that I / we accept the conditions in all respects.

I / We agree that the laws of the Republic of South Africa shall be applicable to the contract resulting from the acceptance of \*my / our tender and that I / we elect *domicillium citandi et executandi* (physical address at which legal proceedings may be instituted) in the Republic at:

\_\_\_\_\_

\_\_\_\_\_

\_\_\_\_\_

I / We accept full responsibility for the proper execution and fulfillment of all obligations and conditions devolving in me / us under this agreement as the principal liable for the due fulfillment of this contract.

I / We furthermore confirm I / we satisfied myself / ourselves as to the corrections and validity of my / our tender; that the price quoted cover all the work / items specified in the tender documents and that the price(s) cover all my / our obligations under a resulting contract and that I / we accept that any mistake(s) regarding price and calculations will be at my / our risk.

I / We furthermore confirm that my / our offer remains binding upon me / us and open for acceptance by the Purchases / Employer during the validity period indicated and calculated from the closing date of the bid.

SIGNATURE		NAME (PRINT)	
CAPACITY		DATE	
NAME OF FIRM			
WITNESS 1		WITNESS 2	



## PART C – DATABASE REGISTRATION

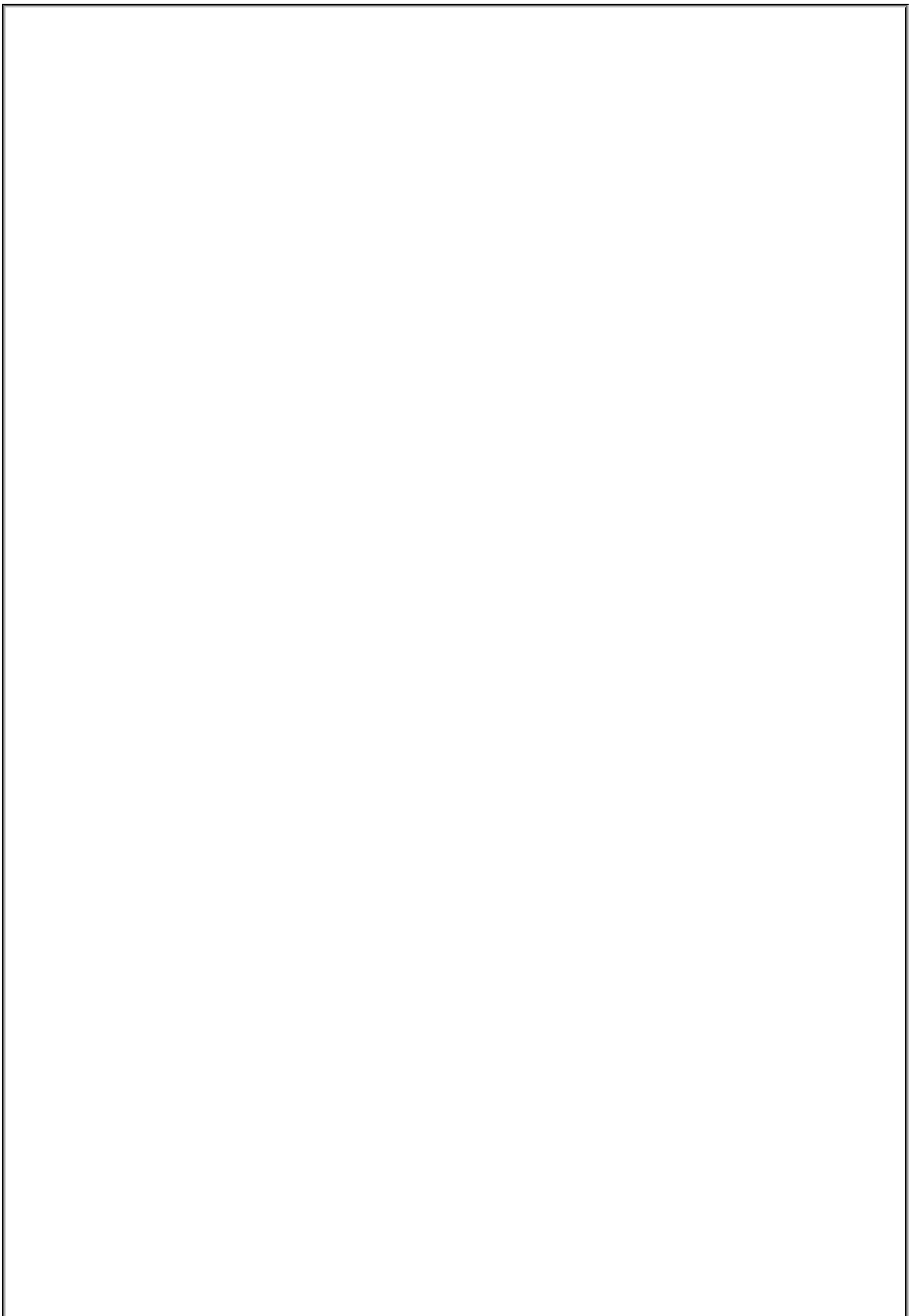
<b>A</b>	<b>If you are a bidder, DULY REGISTERED as a Preferred Supplier on the Supply Chain Management Database of the Overstrand Municipality, COMPLETE THIS SECTION</b>		
<b>SCM DATABASE REGISTRATION NUMBER</b>		<b>SC</b>	
<b>NAME OF FIRM</b>			
<b>SIGNATURE</b>		<b>CAPACITY</b>	
<b>NAME (PRINT)</b>			

<b>B</b>	<b>If you are a bidder, NOT DULY REGISTERED as a Preferred Supplier on the Supply Chain Management Database of the Overstrand Municipality, it is compulsory to complete and attach the following forms:</b>		
1	Database Registration Form		
2	Vraelys Vir Voorkeurverkrygingsbeleid / Questionnaire For Preferential Procurement Policy / Iphepha Lemibuzo Yenqubo Ekhethekileyo Yokufumana		
3	Declaration By Supplier		
4	National Small Business Act No. 102 Of 1996 Classification		
5	Documents Required		
6	Nature Of Operations, Products Or Services		
7	Credit Order Instruction		



**FOR OFFICE USE ONLY**

<b>FORMS REMOVED &amp; HANDED TO DATABASE OFFICIAL</b>					
1	Database Registration Form	Yes		No	
2	Questionnaire For Preferential Procurement Policy	Yes		No	
2.1	BBBEE Certificate / Letter from Auditor				
3	Declaration By Supplier	Yes		No	
4	National Small Business Act No. 102 Of 1996 Classification	Yes		No	
5	Nature Of Operations, Products Or Services	Yes		No	
6	Credit Order Instruction	Yes		No	
7	<b>Documents Required:</b>				
7.1	Copy of Company Registration Documentation	Yes		No	
7.2	Tax Clearance Certificate	Yes		No	
7.3	PAYE	Yes		No	
7.4	UIF Certificate / proof	Yes		No	
7.5	WCA Certificate / Letter of Good Standing	Yes		No	
7.6	Copies of ID documents of Directors / Members / Shareholders / Partners.	Yes		No	
8.	<b>LIST ANY OTHER FORMS REMOVED AND SUBMITTED TO DATABASE OFFICIAL:</b>				
<i>I confirm that I have removed the forms as indicated above from the tender document and forwarded it to the Supplier Database Official</i>					
	<b>Removed</b>	<b>Checked</b>			
<b>Print Name</b>					
<b>Signature</b>					
<b>Date</b>					







**PREFERENTIAL PROCUREMENT REGULATIONS 2011**

**1. POINTS AWARDED FOR B-BBEE STATUS LEVEL OF CONTRIBUTION**

1.1. In terms of Regulation 5 (2) and 6 (2) of the Preferential Procurement Regulations, preference points must be awarded to a bidder for attaining the B-BBEE status level of contribution in accordance with the table below:

B-BBEE Status Level of Contributor	Number of points (90/10 system)	Number of points (80/20 system)
1	10	20
2	9	18
3	8	16
4	5	12
5	4	8
6	3	6
7	2	4
8	1	2
Non-compliant contributor	0	0

- 1.2. Bidders who qualify as EMEs in terms of the B-BBEE Act must submit a certificate issued by an Accounting Officer as contemplated in the CCA or a Verification Agency accredited by SANAS or a Registered Auditor. Registered auditors do not need to meet the prerequisite for IRBA's approval for the purpose of conducting verification and issuing EMEs with B-BBEE Status Level Certificates.
- 1.3. Bidders other than EMEs must submit their original and valid B-BBEE status level verification certificate or a certified copy thereof, substantiating their B-BBEE rating issued by a Registered Auditor approved by IRBA or a Verification Agency accredited by SANAS.
- 1.4. A trust, consortium or joint venture, will qualify for points for their B-BBEE status level as a legal entity, provided that the entity submits their B-BBEE status level certificate.
- 1.5. A trust, consortium or joint venture will qualify for points for their B-BBEE status level as an unincorporated entity, provided that the entity submits their consolidated B-BBEE scorecard as if they were a group structure and that such a consolidated B-BBEE scorecard is prepared for every separate bid.
- 1.6. Tertiary institutions and public entities will be required to submit their B-BBEE status level certificates in terms of the specialized scorecard contained in the B-BBEE Codes of Good Practice.
- 1.7. A person will not be awarded points for B-BBEE status level if it is indicated in the bid documents that such a bidder intends sub-contracting more than 25% of the value of the contract to any other enterprise that does not qualify for at least the points that such a bidder qualifies for, unless the intended sub-contractor is an EME that has the capability and ability to execute the sub-contract.
- 1.8. A person awarded a contract may not sub-contract more than 25% of the value of the contract to any other enterprise that does not have an equal or higher B-BBEE status level than the person concerned, unless the contract is sub-contracted to an EME that has the capability and ability to execute the sub-contract.

**2. BID DECLARATION**

2.1. Bidders who claim points in respect of B-BBEE Status Level of Contribution must complete the following:

2.1.1. B-BBEE STATUS LEVEL OF CONTRIBUTION CLAIMED IN TERMS OF PARAGRAPHS 1.3.1.2 AND 5.1	
2.1.1.1.	B-BBEE Status Level of Contribution as reflected on the B-BBEE Certificate
2.1.1.2.	Points claimed in respect of Level of Contribution (maximum of 10 or 20 points)

*(Points claimed in respect of paragraph 6.1 must be in accordance with the table reflected in paragraph 5.1 and must be substantiated by means of a B-BBEE certificate issued by a Verification Agency accredited by SANAS or a Registered Auditor approved by IRBA or an Accounting Officer as contemplated in the CCA).*

<b>3</b>	Persentasie aandeelhouing van persone geklassifiseer as <b>jeug</b> . (18 – 35 Jaar oud) / Percentage of shareholding of persons in the business classified as <b>youth</b> . (18 – 35 Years old) / Ipersenti labantu abanezabelo kwinkonzo zoshishino ababizwa ngokuba <b>lulutsha</b> (18 – 35 Yeminyaka)	%
<b>4</b>	Is u besigheid geleë binne die jurisdiksie van die munisipaliteit ?	In/Ngaphakathi
	Is your business established within the area of jurisdiction of the Municipality? Ingaba ishishini lakho limi kwingingqi elawulwa nguMasipala wesithili?	Uit/Out/Ngaphandle

Hiermee sertifiseer ek/ons die ondergetekende en die getuienisse dat bogenoemde inligting korrek is. / I/We hereby certify that the abovementioned information is correct signed by myself/ourselves and the witnesses. / Mna/Thina siqinisekisa ukuba ezi nkukacha zingasentla zilungile kwaye zisayinwe ndim/sithi kunye namangqina

<b>Handtekening / Signature / Osayinileyo</b>	<b>Getuie / As Witness / Njengengqina</b>



**DECLARATION BY SUPPLIER**

1. This document serves as a declaration to be used by the municipality in ensuring that when goods and services are being procured, all reasonable steps are taken to combat the abuse of the supply chain management system. No Registration will be accepted from persons in the service of the state\*.

2.(a) Any prospective supplier, having a kinship with persons in the service of the state, including a blood relationship, may in terms of current legislation register on the Municipality's Database. In view of possible allegations of favouritism, should a resulting bid, or part thereof, be awarded to suppliers connected with or related to persons in the service of the state, it is required that the supplier or his/her authorised representative declare their position in relation to the evaluating/adjudicating authority and/or take an oath declaring his/her interest.

2.(b) The request for registration on the Municipality's database may be rejected if the supplier, or any of its directors/members/partners have:

- (i) abused the municipality's supply chain management system or committed any improper conduct in relation to such system;
- (ii) been convicted for fraud or corruption during the past five years;
- (iii) willfully neglected, reneged on or failed to comply with any government, municipal or other public sector contract during the past five years;
- (iv) being a person whose tax matters are not cleared by the South African Revenue Services; or
- (v) been listed in the Register for Tender Defaulters in terms of section 29 of the Prevention and Combating of Corrupt Activities Act (No 12 of 2004).

3.	In order to give effect to the above, the following questionnaire must be completed and signed before a Commissioner of Oaths.			
3.1	Print full Name:			
3.2	Company/CC Registration or ID Number:			
3.3	Are you presently <i>in the service of the state</i> ? *	YES	NO	
3.3.1	If so, furnish particulars.			
3.4	Have you been <i>in the service of the state</i> for the past twelve months?	YES	NO	
3.4.1	If so, furnish particulars.			
3.5	Do you, have any relationship (family, friend, other) with persons <i>in the service of the state</i> and who may be involved with the evaluation and or adjudication of any prospective bid?	YES	NO	
3.5.1	If so, furnish particulars.			
3.6	Are you, aware of any relationship (family, friend, other) between a supplier and any persons <i>in the service of the state</i> who may be involved with the evaluation and or adjudication of any bid?	YES	NO	
3.6.1	If so, furnish particulars.			
3.7	Are any of your company's directors, managers, principle shareholders or stakeholders <i>in the service of the state</i> ?	YES	NO	
3.7.1	If so, furnish particulars.			
3.8	Is any spouse, child or parent of your company's directors, managers, principle shareholders or stakeholders <i>in the service of the state</i> ?	YES	NO	
3.8.1	If so, furnish particulars.			
3.9	Is the supplier or any of its directors/partners listed on the National Treasury's database as a company or person prohibited from doing business with the public sector?	YES	NO	
3.9.1	If so, furnish particulars.			



<b>3.10</b>	Is the supplier or any of its directors listed on the Register for Tender Defaulters in terms of section 29 of the Prevention and Combating of Corrupt Activities Act (No 12 of 2004)?	YES		NO	
<b>3.10.1</b>	<b>If so, furnish particulars.</b>				
<b>3.11</b>	Was the supplier or any of its directors convicted by a court of law (including a court of law outside the Republic of South Africa) for fraud or corruption during the past five years?	YES		NO	
<b>3.11.1</b>	<b>If so, furnish particulars.</b>				
<b>3.12</b>	Does the supplier or any of its directors owe any municipal rates and taxes or municipal charges to the municipality / municipal entity, or to any other municipality / municipal entity, that is in arrears for more than three months?	YES		NO	
<b>3.12.1</b>	<b>If so, furnish particulars.</b>				
<b>3.13</b>	Was any contract between the supplier and the municipality / municipal entity or any other organ of state terminated during the past five years on account of failure to perform on or comply with the contract?	YES		NO	
<b>3.13.1</b>	<b>If so, furnish particulars.</b>				

**CERTIFICATION**

I, THE UNDERSIGNED, \_\_\_\_\_, CERTIFY THAT THE INFORMATION FURNISHED ON THIS DECLARATION FORM IS CORRECT. I ACCEPT THAT THE STATE MAY ACT AGAINST ME SHOULD THIS DECLARATION PROVE TO BE FALSE.

<b>Signature</b>	<b>Position</b>	<b>Date</b>

\* MSCM Regulations: "in the service of the state" means to be –

- (a) a member of –
  - (i) any municipal council;
  - (ii) any provincial legislature; or
  - (iii) the national Assembly or the national Council of provinces;
- (b) a member of the board of directors of any municipal entity;
- (c) an official of any municipality or municipal entity;
- (d) an employee of any national or provincial department, national or provincial public entity or constitutional institution within the meaning of the Public Finance Management Act, 1999 (Act No.1 of 1999);
- (e) a member of the accounting authority of any national or provincial public entity; or
- (f) an employee of Parliament or a provincial legislature.

<p style="text-align: center;"><b>COMMISSIONER OF OATHS</b></p> <p>Signed and sworn to before me at _____, on this _____ day of _____ 20____,</p> <p>by the Deponent, who has acknowledged that he/she knows and understands the contents of this Affidavit, it is true and correct to the best of his/her knowledge and that he/she has no objection to taking the prescribed oath, and that the prescribed oath will be binding on his/her conscience.</p> <p><b>COMMISSIONER OF OATHS:-</b></p> <p>Position: _____</p> <p>Address: _____</p> <p>Tel: _____</p>	<p><b>Apply official stamp of authority on this page:</b></p>
---	---



**ETHICS COMMITMENT FOR SUPPLIERS OF THE OVERSTRAND LOCAL MUNICIPALITY**

**In our dealings with the Overstrand Local Municipality we commit to uphold high standards of ethics. Among other things this means:**

- We will be honest and deal in good faith;
- We will not improperly try to influence any municipal official or decision; We will avoid all conflicts of interest;
- We will not engage in any form of corruption (e.g. paying bribes, giving kickbacks); We will not give gifts to municipal officials or councillors;
- We will not be involved in collusion with other service providers (i.e. price-fixing);
- We will ensure that all information we submit to the municipality is accurate and truthful (e.g. we will not engage in B-BBEE fronting).
- We will ensure and take accountability to keep our database records up to date, avoiding misrepresentation.
- We will ensure to comply with legislative requirements applicable.
- We will inform the Overstrand of any unethical behaviour known, either from other suppliers or Overstrand officials, supported by the protection of our Whistle Blowing policy.
- We will contribute by all means necessary, in building a positive ethical culture in the Overstrand.

**This is our commitment to help build an ethical Overstrand.**

<b>Name of Company:</b>	
<b>Name of authorised person:</b>	
<b>Signature:</b>	
<b>Date:</b>	



**National Small Business Act No. 102 of 1996 Classification**

1. Indicate your Economic Sector - Give full description in 1.4 on page 1		2. Indicate the size of your Business if the National Small Business Act applies to your enterprise.				
Sector or sub-sectors in accordance with the Standard Industrial Classification		Size of class	Total full-time equivalent of paid employees	Total annual turnover	Total gross asset value (fixed property excluded)	Indicate the category of your business
Please indicate your Sector "X"		Less than:	Less than:	Less than:	Less than:	"X"
All Tiers of Government 00001 - 09999		Not applicable	Not applicable	Not applicable	Not applicable	Not applicable
Agriculture 11001 - 14999		Medium	100	R 5 m	R 5 m	
		Small	50	R 3 m	R 3 m	
		Very small	10	R 0.50 m	R 0.50 m	
		Micro	5	R 0.20 m	R 0.10 m	
Mining and Quarrying 21001 - 29999		Medium	200	R 39 m	R 23 m	
		Small	50	R 10 m	R 6 m	
		Very small	20	R 4 m	R 2 m	
		Micro	5	R 0.20 m	R 0.10 m	
Manufacturing 30001 - 39999		Medium	200	R 51 m	R 19 m	
		Small	50	R 13 m	R 5 m	
		Very small	20	R 5 m	R 2 m	
		Micro	5	R 0.20 m	R 0.10 m	
Electricity, Gas and Water 41001 - 42999		Medium	200	R 51 m	R 19 m	
		Small	50	R 13 m	R 5 m	
		Very small	20	R 5.10 m	R 1.90 m	
		Micro	5	R 0.20 m	R 0.10 m	
Construction 50001 - 50999		Medium	200	R 26 m	R 5 m	
		Small	50	R 6 m	R 1 m	
		Very small	20	R 3 m	R 0.50 m	
		Micro	5	R 0.20 m	R 0.10 m	
Wholesale Trade, Commercial Agents and Allied Services 58001 - 61999		Medium	200	R 64 m	R 10 m	
		Small	50	R 32 m	R 5 m	
		Very small	20	R 6 m	R 0.60 m	
		Micro	5	R 0.20 m	R 0.10 m	
Retail and Motor Trade and Repair Services 62101 - 63500		Medium	200	R 39 m	R 6 m	
		Small	50	R 19 m	R 3 m	
		Very small	20	R 4 m	R 0.60 m	
		Micro	5	R 0.20 m	R 0.10 m	
Catering, Accommodation and other Trade 64101 - 64299		Medium	200	R 13 m	R 3 m	
		Small	50	R 6 m	R 1 m	
		Very small	20	R 1.50 m	R 0.90 m	
		Micro	5	R 0.20 m	R 0.10 m	
Transport, Storage and Communications 71001 - 75999		Medium	200	R 26 m	R 6 m	
		Small	50	R 13 m	R 3 m	
		Very small	20	R 3 m	R 0.60 m	
		Micro	5	R 0.20 m	R 0.10 m	
Finance and Business Services 81001 - 88999		Medium	200	R 26 m	R 5 m	
		Small	50	R 13 m	R 3 m	
		Very small	20	R 3 m	R 0.50 m	
		Micro	5	R 0.20 m	R 0.10 m	
Community, Social and Personal Services 91001 - 99999		Medium	200	R 13 m	R 6 m	
		Small	50	R 6 m	R 3 m	
		Very small	20	R 1 m	R 0.60 m	
		Micro	5	R 0.20 m	R 0.10 m	







**DOCUMENTS REQUIRED**

DOCUMENTS REQUIRED	SOLE PROPRIETOR	CC'S AND PRIVATE COMPANIES	PARTNER-SHIPS	PUBLIC COMPANY	BUSINESS TRUST	NON PROFIT ORGANIZATIONS (NPO)	WHERE TO GET DOCUMENTS
COMPANY REGISTRATION CERTIFIED COPIES	N/A	Certificate of incorporation CK1/CK2	Partnership agreement	Certificate of Incorporation CM3	Trust agreement	Certificate of Incorporation Section 21	Registrar of CC's & Companies
PROOF OF OWNERSHIP CERTIFIED COPIES	N/A	Shareholding CK1/CK2	Partnership agreement	Shareholding CM3	Trustees details: Letter of Authority	Auditor's letter no shareholding	Registrar of CC'S & Companies
PROOF OF BANKING	Bank statement/ cancelled cheque	Bank statement/ cancelled cheque	Bank statement/ cancelled cheque	Bank statement/ cancelled cheque	Bank statement/ cancelled cheque	Bank statement/ cancelled cheque	Branch of bank at which Account is.
TAX CLEARANCE CERTIFICATE	For the Owner or the business	For the company / cc	For each individual shareholder	For the company	For the trust	For the NPO	SARS
P.A.Y.E	If staff are employed	If staff are employed	If staff are employed	If staff are employed	If staff are employed	If staff are employed	SARS
VAT REGISTRATION	Yes	Yes	Yes	Yes	Yes	Yes	SARS
U.I.F Certificate	YES	YES, if staff remuneration	YES, if staff remuneration	YES, if staff remuneration	YES, if staff remuneration	YES, if staff remuneration	Department of Labour
Workman's Compensation	YES, if staff remuneration	YES, if staff remuneration	YES, if staff remuneration	YES, if staff remuneration	YES, if staff remuneration	YES, if staff remuneration	Department of Labour
Security Officer's Board	If applicable -for security industry	If applicable -for security industry	If applicable -for security industry	If applicable -for security industry	If applicable -for security industry	If applicable -for security industry	Security Service Regulatory Authority
Proof of Disability	If owner is disabled	If Shareholder is disable	If Shareholder is disabled	If Shareholder is disable	If Shareholder is disable	If Shareholder is disabled	
Proof of Identity CERTIFIED	Owner	Directors / Members	Partners	Directors	Trustees	Directors	

**FOR OFFICE USE ONLY:**

<b>BUSINESS NAME</b>			
<b>DATE RECEIVED</b>		<b>DATE CAPTURED</b>	
<b>ACCEPTED</b>			
<b>DATABASE REGISTRATION NUMBER</b>			